

# Festoon Systems for C-Rails

Program 0240



**CONDUCTIX**  
wampfler



# Contents

---

## System Arrangement Program 0240

Rails and Mounting Parts . . . . .	5
Festoon Systems for Flat Cables . . . . .	5
Festoon Systems for Round Cable . . . . .	5

---

## C-Rails and Accessories Program 0240

C-Rails . . . . .	6
90°- Curves . . . . .	6
Track Couplers . . . . .	7
Track Couplers, Two-Piece . . . . .	7
Track Support Bracket, One-Piece, for Ceiling Attachment . . . . .	8
Track Support Bracket, One-Piece, with Square Nut for Attachment to Support Arms . . . . .	8
Track Support Bracket, One-Piece, for Attachment to Existing Steel Structure . . . . .	8
Track Support Brackets, Three-Piece, for Ceiling Attachment . . . . .	9
Track Support Brackets, Three-Piece, with Square Nut for Attachment to Support Arms . . . . .	9
Track Support Brackets, Three-Piece, for Attachment to the Existing Steel Structure . . . . .	9
Track Support Bracket for Attachment to the Existing Steel Structure . . . . .	10
Track Support Bracket and Coupler, One-Piece, for Ceiling Attachment . . . . .	10
Track Support Bracket and Coupler, One-Piece with Square Nut for Attachment to Support Arms . . . . .	10
Track Support Bracket and Coupler, One-Piece for Attachment to the Existing Steel Structure . . . . .	10
Track Support Brackets for Attachment to the Existing Steel Structure . . . . .	11
Track Support Bracket, bare to weld on . . . . .	12
Track Support Bracket and Coupler, bare to weld on . . . . .	12
Track Support Bracket for Direct Attachment below I-Beams . . . . .	12
Bolt Complete . . . . .	12
Support Arms 40x40x2.5 - punched . . . . .	13
Support Arms 40x40x2.5 - unpunched . . . . .	13
Permissible Load for Support Arms . . . . .	14
Bracket for Support Arms 40x40x2.5 to be bolted with 2-Hole Connecting Plate . . . . .	14
Bracket for Support Arms 40x40x2.5 to be bolted with 4-Hole Connecting Plate . . . . .	14
Console Brackets to be bolted with 4-Hole Connecting Plate . . . . .	15
Brackets, bare to be welded . . . . .	15
Girder Clips, Clamping Thickness 4 - 20 mm . . . . .	16
Girder Clips, Clamping Thickness 18 - 36 mm . . . . .	16
Girder Clips, Twist-Secured, Clamping Thickness 6 - 25 mm . . . . .	16
Girder Clips, Reinforced Type, Clamping Thickness 6 - 21 mm . . . . .	17
Girder Clips, Reinforced Type, Clamping Thickness 6 - 30 mm . . . . .	17
Application Examples for Support Arm and C-Rail Fastening with Support Arms – unpunched . . . . .	18
Application Examples for Support Arm and C-Rail Fastening with Support Arms – punched . . . . .	18
Application Example for Support Arm and C-Rail Fastening with Welded Brackets . . . . .	18
End Stop with Rubber Buffer . . . . .	19
End Stop without Rubber Buffer . . . . .	19
Application Example for End Stop Assembly . . . . .	19
Towing Arms . . . . .	20
End Caps . . . . .	20
Cl-Rail Reinforced Type, Wall Thickness 3.0 mm . . . . .	21
Track Coupler . . . . .	21
Track Support Bracket . . . . .	21

---

## Cable Trolleys for Flat Cables Program 0240

Steel Cable Trolley with Plastic Cable Support . . . . .	22
Steel Cable Trolleys, Light Series without Buffer . . . . .	23
Steel Cable Trolleys, Light Series with Buffer . . . . .	23
Steel Cable Trolleys, Heavy Series . . . . .	24

---

## Cable Trolleys for Round Cables Program 0240

Steel Cable Trolleys with Ball Joint for Cable Clips 020131, Light Series without Buffer . . . . .	25
Steel Cable Trolleys with Ball Joint for Cable 020131, Heavy Series with Buffer . . . . .	25
Steel Cable Trolleys with Bracket for Cable Clips 020133, Heavy Series with Buffer . . . . .	26
Cable Clips for Fixation at the Ball Joint . . . . .	27
Cable Clips for Fixation at the Bracket . . . . .	27
Additional Cable Clips for Combinations with Sizes 50 and 63 of Types 020133 . . . . .	27
Hose Clip for Fixation at the Ball Joint . . . . .	28
Hose Clip for Fixation at the Bracket . . . . .	28
Cable Trolley with Cable Clips, Heavy Series, Rotatable . . . . .	29

# Contents

Steel Cable Trolleys, Heavy Series for Clamping of Round Cables with a max. Difference in Diameter of 6 mm . . . . .	30
Steel Cable Trolleys, Heavy Series for Clamping of Round Cables with a max. Difference in Diameter of 16 mm . . . . .	31

---

## Cable Trolleys and Accessories for Traversing, Program 0240

---

Transfer Guide for C-Rail 024100 . . . . .	32
Cable Trolleys for Flat Cables with Additional Rollers . . . . .	32

---

## Cable Trolley for Applications with Increased Horizontal Forces | Program 0240

---

Cable Trolleys with Horizontal Guide Rollers . . . . .	33
--	----

---

## Ideal Control Unit Trolleys Program 0240

---

Ideal Control Unit Trolleys with Plug and Socket Connection – Basic Configuration . . . . .	34
Ideal Control Unit Trolleys with Plug and Socket Connection – Pre-Assembled . . . . .	34
Ideal Control Unit Trolley with Plastic Terminal Box – Basic Configuration . . . . .	35
Ideal Control Unit Trolleys with Plastic Terminal Box – Pre-Assembled . . . . .	35
Ideal Control Unit Trolleys with Terminal Box of Steel – Basic Configuration . . . . .	36
Control Trolley Upper Parts . . . . .	36
Basic Ideal Control Unit Trolleys for Round Cables . . . . .	37

---

## Accessories for Festoon Systems Program 0240

---

Application Examples . . . . .	38
Towing Ropes Pre-Assembled . . . . .	39
Ropes . . . . .	39
Shackles . . . . .	39
Spring Safety Hook . . . . .	39
Rope Thimbles . . . . .	39
Rope Clip . . . . .	40
Rope Eyes . . . . .	40
Cable Clamps . . . . .	40
Brake Glider . . . . .	41
Brake Trolley . . . . .	41
Cable Trolley Upper Parts . . . . .	42
Plastic Trolleys 2 Rollers . . . . .	43
Plastic Trolleys 4 Rollers . . . . .	43
Steel Trolley 2 Rollers . . . . .	43
Steel Trolley 4 Rollers without Buffer . . . . .	43
Steel Trolley 4 Rollers with Buffer . . . . .	44
S-Hook . . . . .	44
Spring Safety Hook . . . . .	44
Cable Collar, Plastic . . . . .	44
Strap for Cable Bundle . . . . .	45
Cable Clips with Bracket . . . . .	45

---

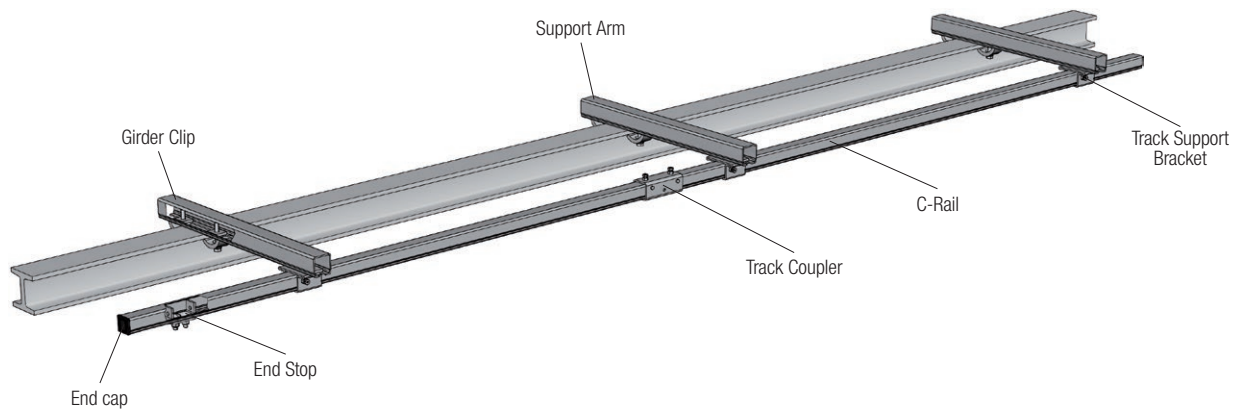
## Helpful Hints

---

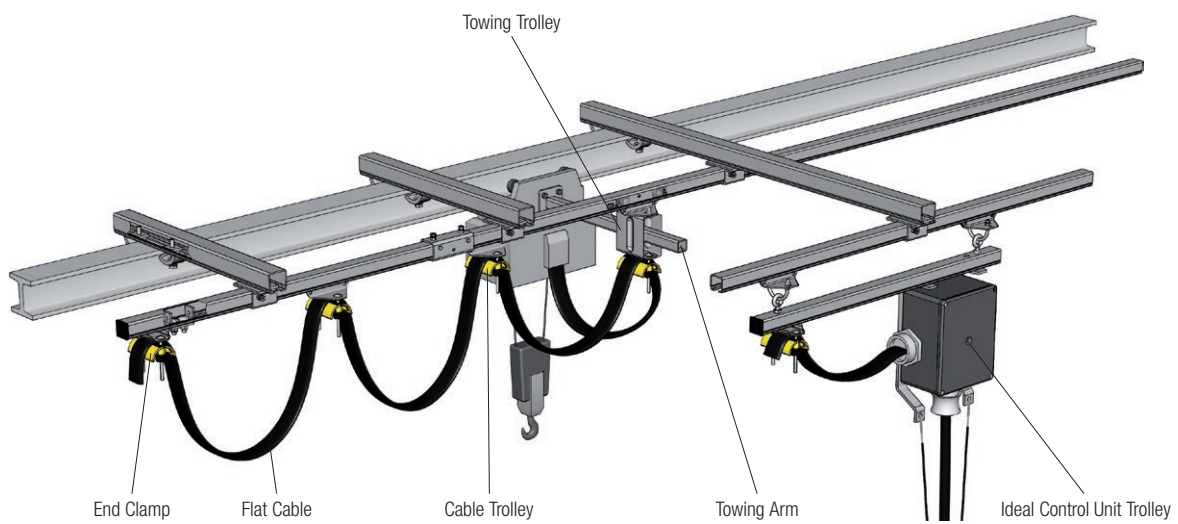
Calculation of the Load Capacity of C-Rails . . . . .	46
Load Diagram for C-Rail 40 x 40 x 2.5 (024100 / 024104 / 024109) . . . . .	46
Load Diagram for CI-Rail Reinforced (024052-6) . . . . .	47
Load Diagram for CV-Rail Reinforced (024030-6) . . . . .	47
Technical Data . . . . .	48
Formulas to Determine the Number of Loops, Cable Length and Loop Depth . . . . .	48
Definition of the Cable Arrangement and Cable Trolley Selection . . . . .	49
Cable Factors . . . . .	49

# System Arrangement Program 0240

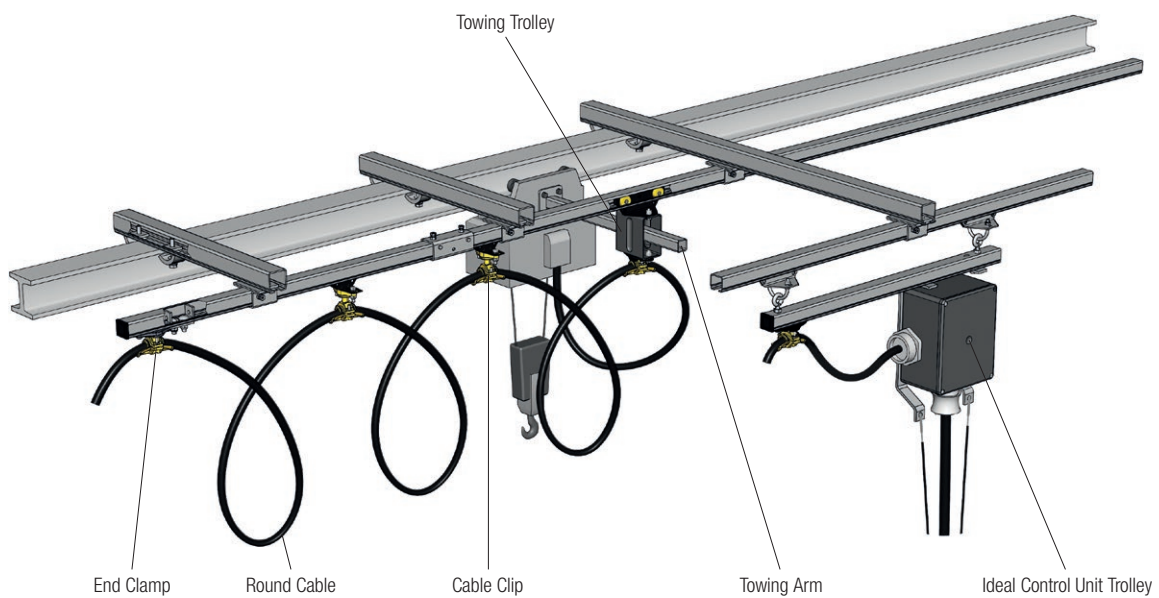
## Rails and Mounting Parts



## Festoon Systems for Flat Cables



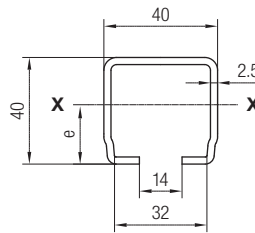
## Festoon Systems for Round Cable



# C-Rails and Accessories

## Program 0240

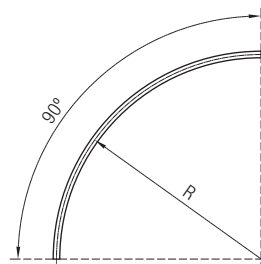
### C-Rails



Order No.	Material	Length [mm]	Thickness s [mm]	$I_x$ [cm <sup>4</sup> ]	Static Values $W_x$ [cm <sup>3</sup> ]	e [mm]	Weight [kg/m]
024100-6	sendzimir galvanized steel	6000	2.5	6.74	3.08	21.6	2.5
024100-4		4000					
024109-6	stainless steel V4A 1.4571	6000	2.5	6.74	3.08	21.6	2.5
024109-4		4000					

Other lengths or stainless steel V2A (1.4301) on request

### 90°- Curves

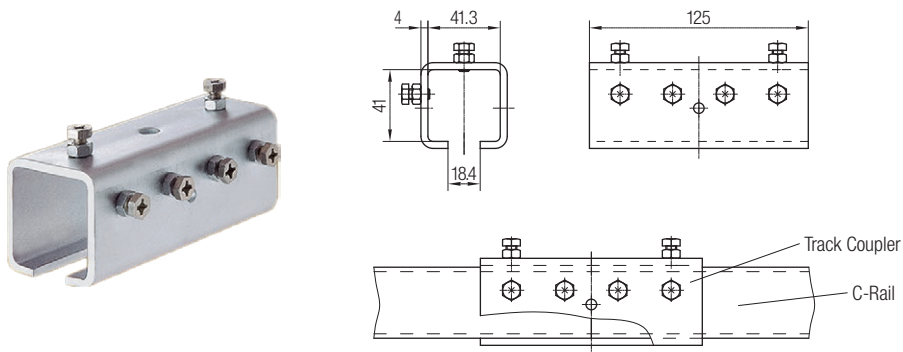


Order No.	Material	R [mm]	Developed Length [mm]	Loop Depth max. 0.35 x R [mm]	for max. Trolley Length [mm]	Weight [kg]
024102-01000	sendzimir galvanized steel	1000	1570	350	160	3.9
024102-01200		1200	1885	420	160	4.7
024102-01400		1400	2200	490	200	5.5
024102-01600		1600	2510	560	200	6.3
024102-01800		1800	2830	630	280	7.1
024102-02000		2000	3140	700	280	7.9
024115-01000	stainless steel V4A 1.4571	1000	1570	350	160	3.9
024115-01200		1200	1885	420	160	4.7
024115-01400		1400	2200	490	200	5.5
024115-01600		1600	2510	560	200	6.3
024115-01800		1800	2830	630	280	7.1
024115-02000		2000	3140	700	280	7.9

Other curves or stainless steel V2A (1.4301) on request

# C-Rails and Accessories Program 0240

## Track Couplers

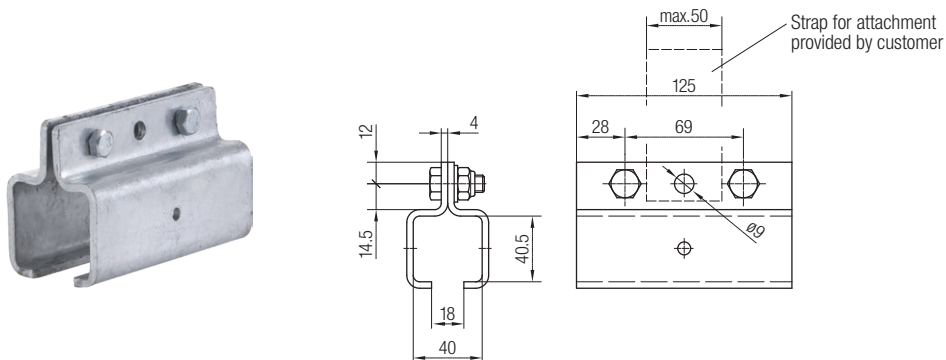


Order No.	Material	Weight [kg]
024105	galvanized steel	0.610
024186	stainless steel V4A	0.610

### Note

A track coupler must be provided at each track joint.

## Track Couplers, Two-Piece

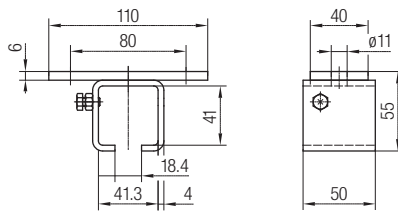


Order No.	Material	Weight [kg]
024106	galvanized steel	0.790
024188	stainless steel V4A	0.790

# C-Rails and Accessories

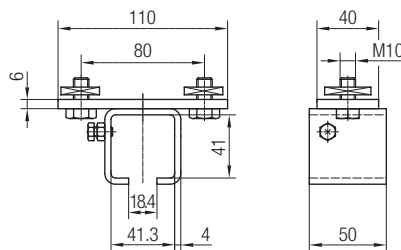
## Program 0240

### Track Support Bracket, One-Piece, for Ceiling Attachment



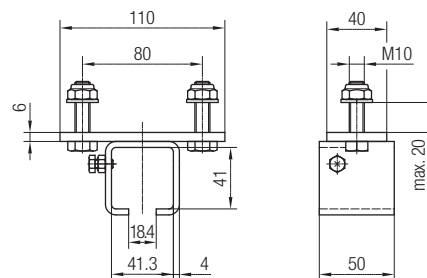
Order No.	Material	Perm. Load [kg]	Weight [kg]
024121	galvanized steel	250	0.360
024191	stainless steel V4A	250	0.360

### Track Support Bracket, One-Piece, with Square Nut for Attachment to Support Arms



Order No.	Material	Suitable for support arm type	Perm. Load [kg]	Weight [kg]
024122	galvanized steel	020186, 020276	250	0.450
024192	stainless steel V4A	020485, 020488	250	0.450

### Track Support Bracket, One-Piece, for Attachment to Existing Steel Structure

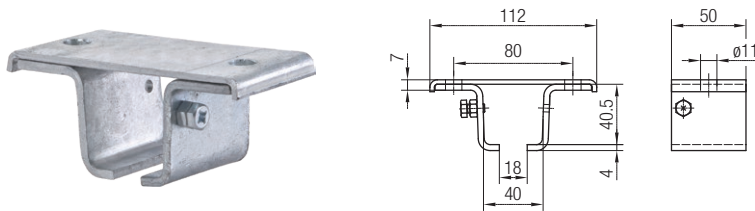


Order No.	Material	Perm. Load [kg]	Weight [kg]
024123	galvanized steel	250	0.470
024193	stainless steel V4A	250	0.470



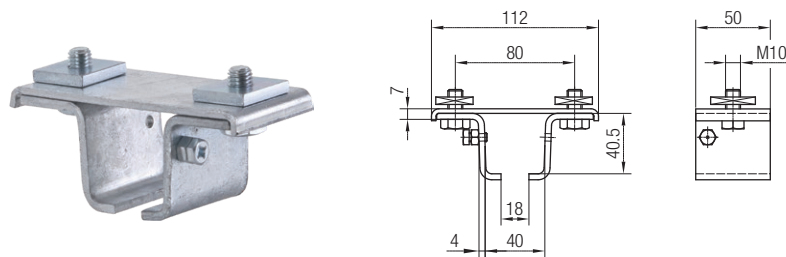
# C-Rails and Accessories Program 0240

## Track Support Brackets, Three-Piece, for Ceiling Attachment



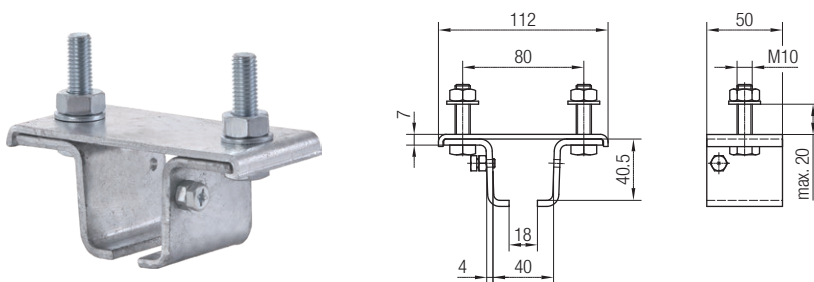
Order No.	Type	Material	Perm. Load [kg]	Weight [kg]
024152	without locking screw	galvanized steel	100	0.350
024153	with locking screw			0.360
024172	without locking screw	stainless steel V4A	100	0.350
024173	with locking screw			0.360

## Track Support Brackets, Three-Piece, with Square Nut for Attachment to Support Arms



Order No.	Type	Material	Suitable for Support Arm Type	Perm. Load [kg]	Weight [kg]
024154	without locking screw	galvanized steel	020186, 020276	100	0.440
024155	with locking screw				0.450
024174	without locking screw	stainless steel V4A	020485, 020488	100	0.440
024175	with locking screw				0.450

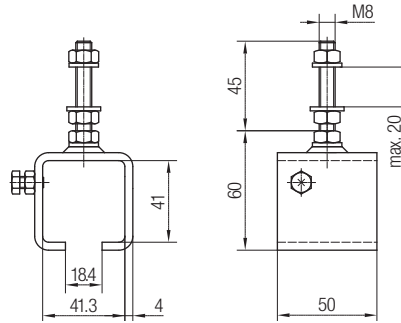
## Track Support Brackets, Three-Piece, for Attachment to the Existing Steel Structure



Order No.	Type	Material	Perm. Load [kg]	Weight [kg]
024156	without locking screw	galvanized steel	100	0.460
024157	with locking screw			0.470
024176	without locking screw	stainless steel V4A	100	0.460
024177	with locking screw			0.470

# C-Rails and Accessories Program 0240

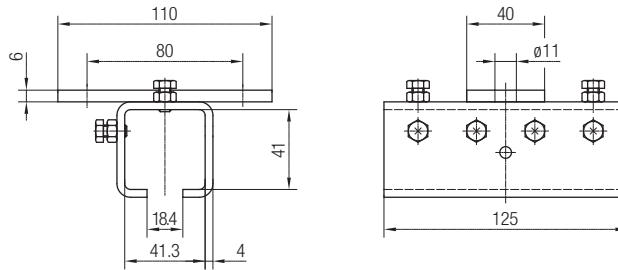
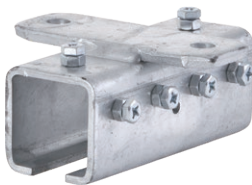
## Track Support Bracket for Attachment to the Existing Steel Structure



**Order No. 024125**

- Material: galvanized steel
- Perm. Load: 100 kg
- Weight: 0.320 kg

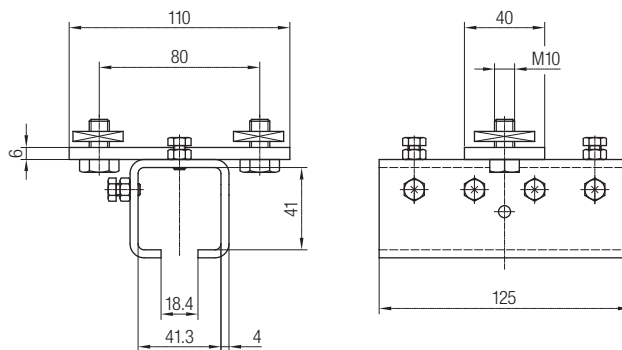
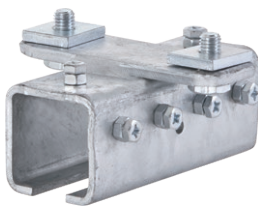
## Track Support Bracket and Coupler, One-Piece, for Ceiling Attachment



**Order No. 024141**

- Material: galvanized steel
- Perm. Load: 250 kg
- Weight: 0.660 kg

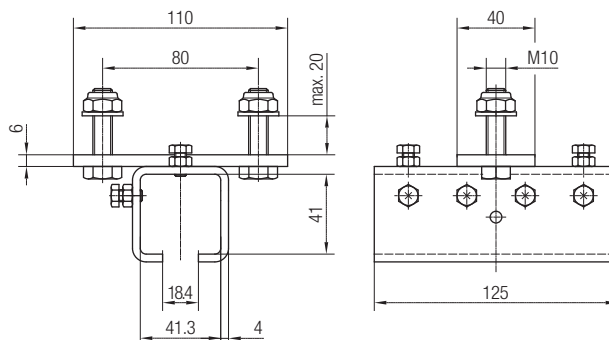
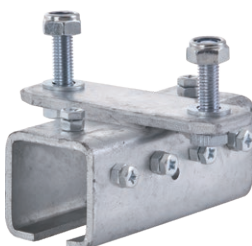
## Track Support Bracket and Coupler, One-Piece with Square Nut for Attachment to Support Arms



**Order No. 024142**

- Material: galvanized steel
- Perm. Load: 250 kg
- Suitable for support arm type: 020186 and 020276
- Weight: 0.750 kg

## Track Support Bracket and Coupler, One-Piece for Attachment to the Existing Steel Structure

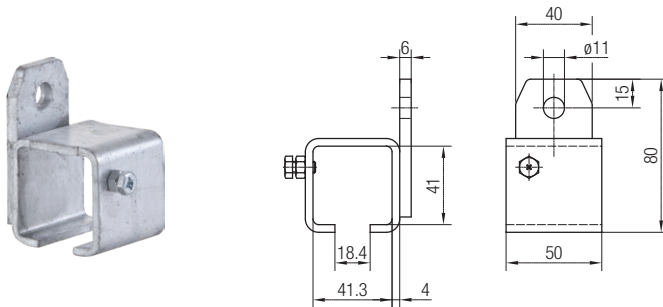


**Order No. 024143**

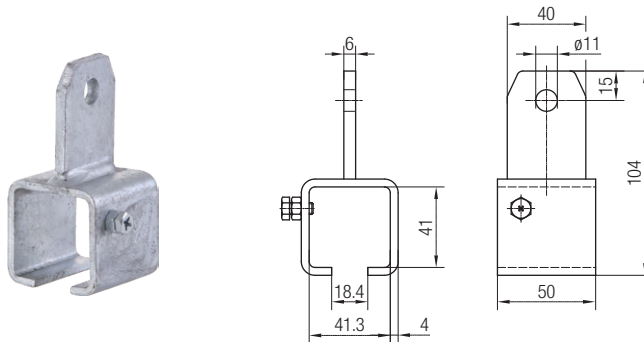
- Material: galvanized steel
- Perm. Load: 250 kg
- Weight: 0.770 kg

# C-Rails and Accessories Program 0240

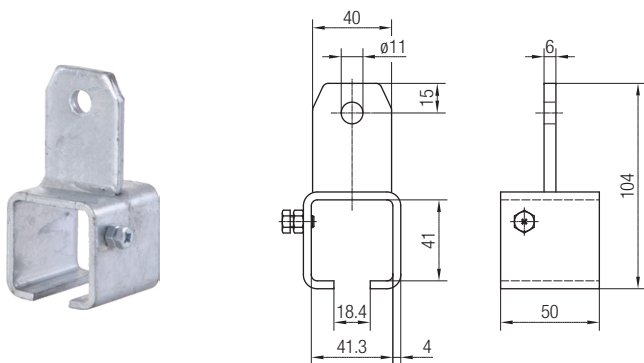
## Track Support Brackets for Attachment to the Existing Steel Structure



Order No.	Material	Perm. Load [kg]	Weight [kg]
024130	galvanized steel	100	0.320
024182	stainless steel V4A	100	0.320



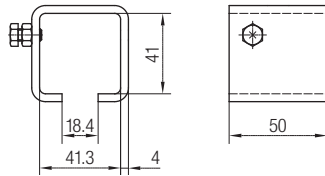
Order No.	Material	Perm. Load [kg]	Weight [kg]
024131	galvanized steel	250	0.300
024197	stainless steel V4A	250	0.300



Order No.	Material	Perm. Load [kg]	Weight [kg]
024132	galvanized steel	250	0.300
024198	stainless steel V4A	250	0.300

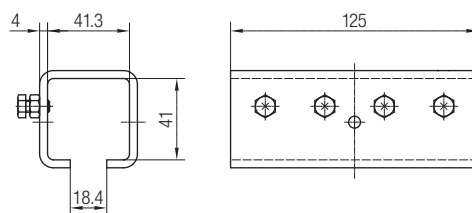
# C-Rails and Accessories Program 0240

## Track Support Bracket, bare to weld on



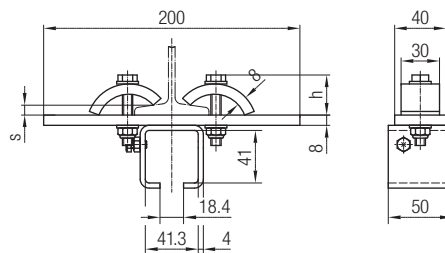
- Order No. 024120**
- Material: bare steel
  - Weight: 0.220 kg

## Track Support Bracket and Coupler, bare to weld on

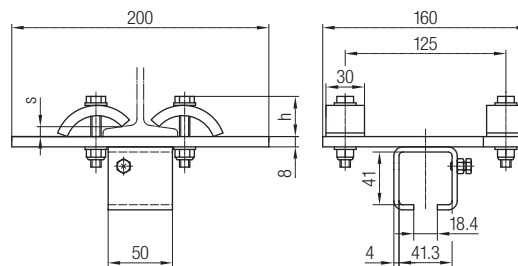


- Order No. 024140**
- Material: bare steel
  - Weight: 0.600 kg

## Track Support Bracket for Direct Attachment below I-Beams



- Order No. 024124**
- Material: galvanized steel
  - Perm. Load: 160 kg
  - for flange widths 40 - 103 mm
  - Weight: 0.800 kg

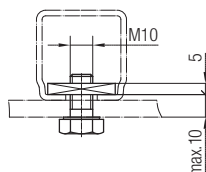


- Order No. 024128**
- Material: galvanized steel
  - Perm. Load: 250 kg
  - for flange widths 40 - 103 mm
  - Weight: 2.820 kg

Flange Thickness s [mm]	4	6	8	10	12	16	20
-------------------------	---	---	---	----	----	----	----

Mounting Height h [mm]	31	32	33	34	35	37	40
------------------------	----	----	----	----	----	----	----

## Bolt Complete



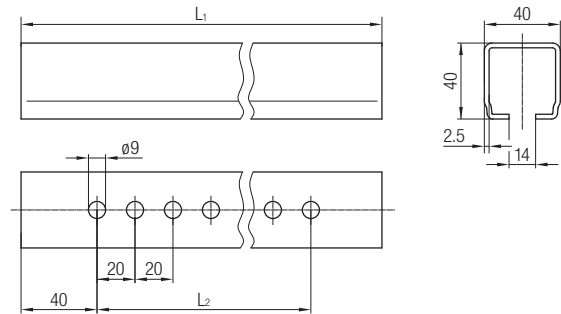
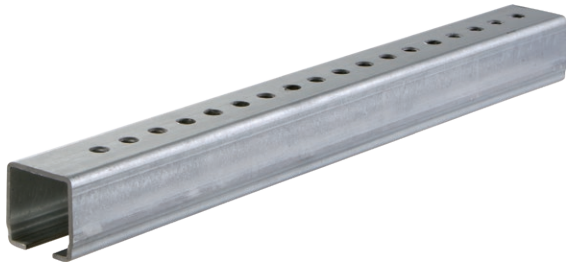
Order No.	Packing Unit [St.]	Material	Weight [kg]
020176-10x20	20	galvanized steel	0.900
020476-10x20	20	stainless steel V4A	0.900

Design in stainless steel V4A

# C-Rails and Accessories

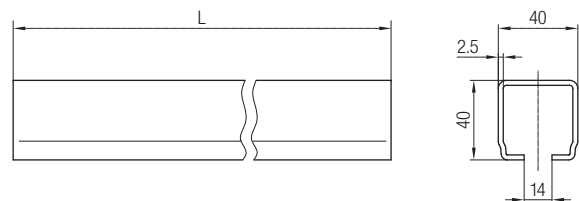
## Program 0240

### Support Arms 40x40x2.5 - punched



Order No.	L <sub>1</sub> [mm]	L <sub>2</sub> [mm]	Material	Weight [kg]
020186-0250	250	200	sendzimir galvanized steel	0.625
020186-0315	315	260		0.785
020186-0400	400	340		1.000
020186-0500	500	340		1.250
020186-0630	630	340		1.575
020186-0800	800	340		2.000
020186-1000	1000	340		2.500
020186-1250	1250	340		3.125
020488-0400	400	340	stainless steel V4A 1.4571	1.000
020488-0500	500	340		1.250
020488-0630	630	340		1.575
020488-0800	800	340		2.000
020488-1000	1000	340		2.500
020488-1250	1250	340		3.125

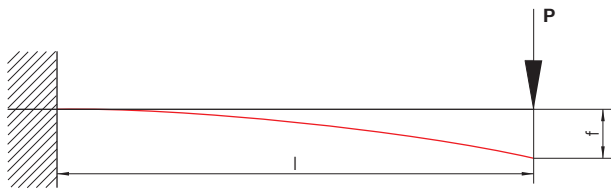
### Support Arms 40x40x2.5 - unpunched



Order No.	L [mm]	Material	Weight [kg]
020276-0315	315	sendzimir galvanized steel	0.785
020276-0450	450		1.125
020276-0550	550		1.375
020276-0650	650		1.625
020276-0840	840		2.100
020276-0950	950		2.375
020276-1000	1000		2.500
020276-1150	1150		2.875
020276-1340	1340		3.350
020276-1520	1520		3.800
020276-1800	1800		4.500
020276-2000	2000		5.000

# C-Rails and Accessories Program 0240

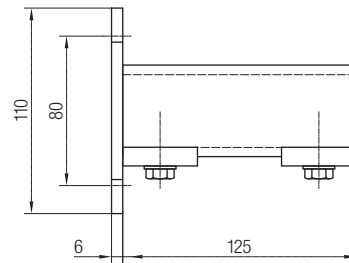
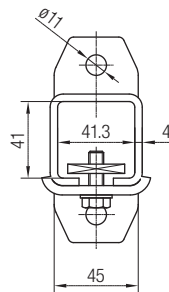
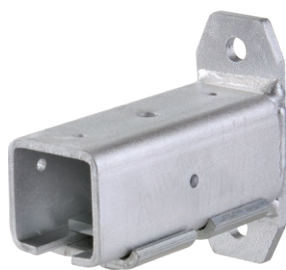
## Permissible Load for Support Arms



- Note
- calculated with  $\sigma = 140 \text{ N/mm}^2$  tension
  - f = appropriate max. resulting deflection

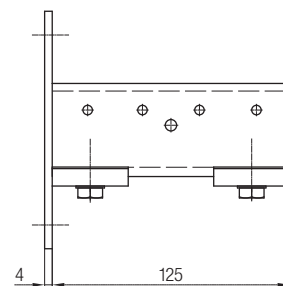
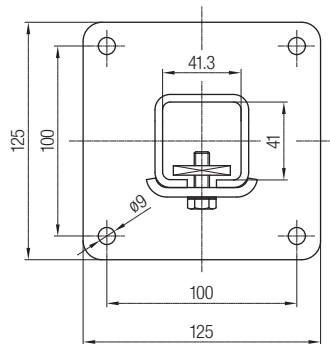
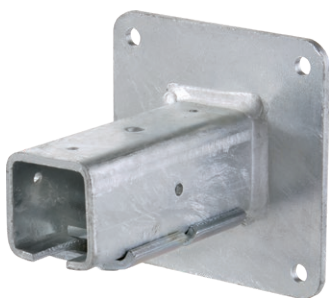
		l [m]								
		0.25	0.40	0.50	0.65	0.80	1.00	1.25	1.52	2.00
Support Arm 40x40x2.5	P [kg]	164.5	103.0	82.0	63.0	51.5	41.0	33.0	27.0	20.5
	f [cm]	0.07	0.20	0.30	0.45	0.70	1.10	1.70	2.50	4.30

## Bracket for Support Arms 40x40x2.5 to be bolted with 2-Hole Connecting Plate



Order No.	Material	Suitable for Support Arm	Weight [kg]
020282	galvanized steel	020186, 020276	1.000

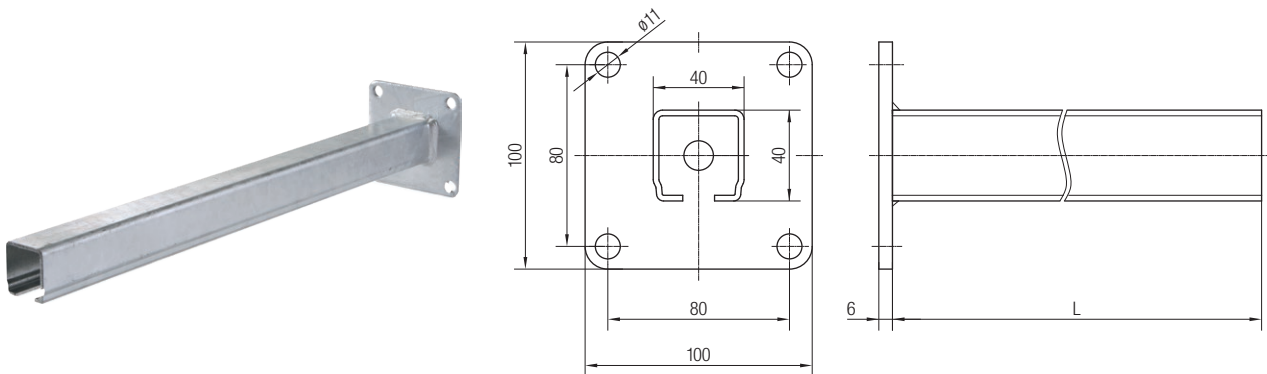
## Bracket for Support Arms 40x40x2.5 to be bolted with 4-Hole Connecting Plate



Order No.	Material	Suitable for Support Arm	Weight [kg]
020284	galvanized steel	020186, 020276	1.300

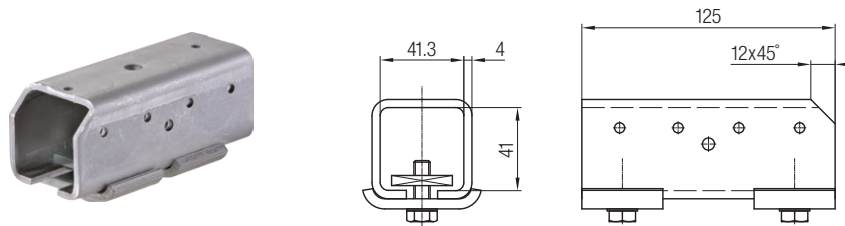
# C-Rails and Accessories Program 0240

## Console Brackets to be bolted with 4-Hole Connecting Plate



Order No.	Material	L [mm]	Weight [kg]
020206-0500	galvanized steel	500	1.700
020206-0630		630	2.000
020206-0800		800	2.450
020206-1000		1000	2.800

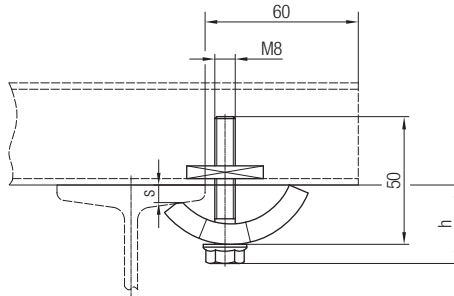
## Brackets, bare to be welded



Order No.	Bracket	Material	Fasteners	Suitable for Support Arm	Weight [kg]
020286	bare steel		galvanized steel	020186, 020276	0.730

# C-Rails and Accessories Program 0240

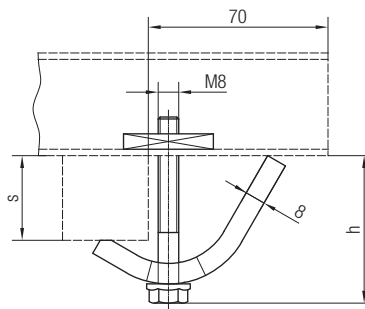
## Girder Clips, Clamping Thickness 4 - 20 mm



Order No.	Material	Weight [kg]
020180-08	galvanized steel	0.150
020480-08	stainless steel V4A	0.150

Clamping Thickness s [mm]	4	6	8	10	12	16	20
Mounting Height h [mm]	31	32	33	34	35	37	40

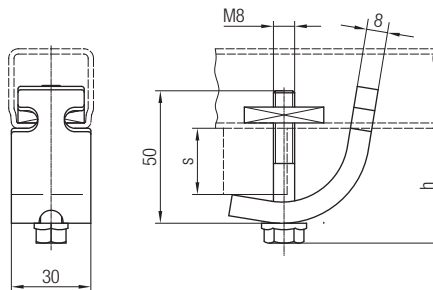
## Girder Clips, Clamping Thickness 18 - 36 mm



Order No.	Material	Weight [kg]
020180-08x36	galvanized steel	0.220
020480-08x36	stainless steel V4A	0.220

Clamping Thickness s [mm]	18-20	20-24	24-28	28-32	32-36
Mounting Height h [mm]	42-44	44-48	48-52	52-56	56-60

## Girder Clips, Twist-Secured, Clamping Thickness 6 - 25 mm



Order No.	Material	Weight [kg]
020181-08	galvanized steel	0.190

Clamping Thickness s [mm]	6 - 25
Mounting Height h [mm]	32 - 40

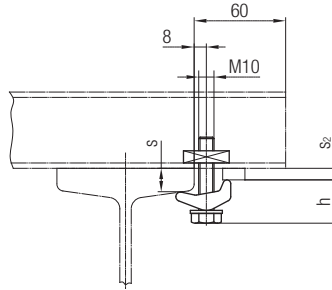
Design in stainless steel V4A



# C-Rails and Accessories

## Program 0240

### Girder Clips, Reinforced Type, Clamping Thickness 6 - 21 mm

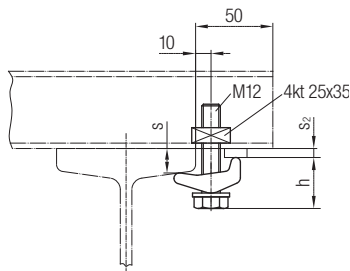


Order No.	Material	Weight [kg]
020180-10	galvanized steel	0.170

Clamping Thickness s [mm]	6 - 14	11 - 16	16 - 21
Mounting Height h [mm]	35 - 41	41 - 46	46 - 51
Clamping Piece <sup>1)</sup> s <sub>2</sub> [mm]	-	5	10

<sup>1)</sup> is not included with the girder clips

### Girder Clips, Reinforced Type, Clamping Thickness 6 - 30 mm



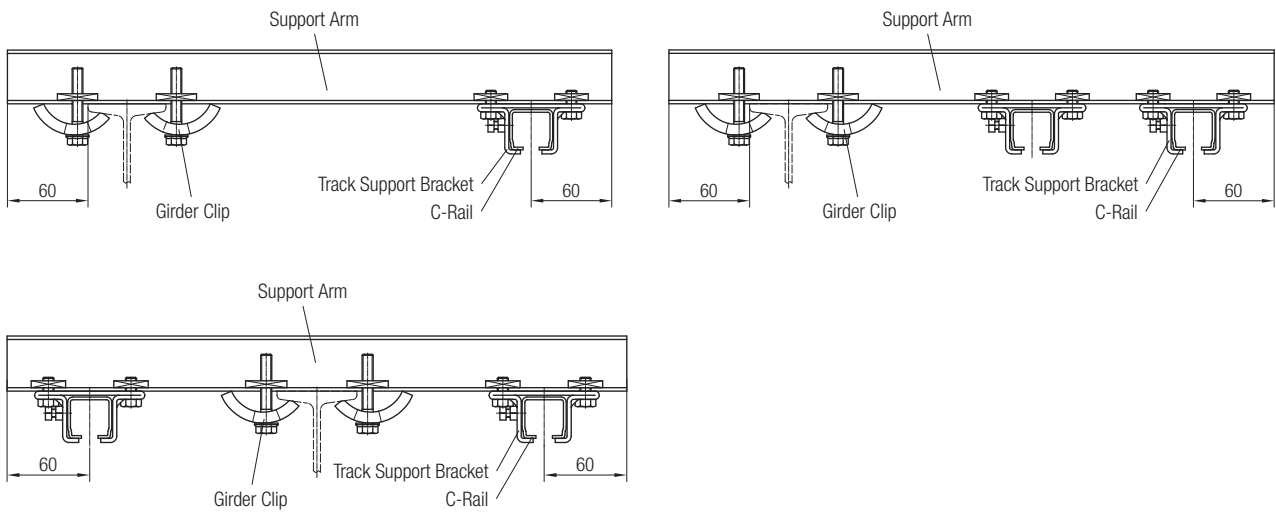
Order No.	Material	Weight [kg]
020180-12	galvanized steel	0.220

Clamping Thickness s [mm]	6 - 14	14 - 22	22 - 30
Mounting Height h [mm]	39 - 47	47 - 55	55 - 63
Clamping Piece <sup>1)</sup> s <sub>2</sub> [mm]	-	8	16

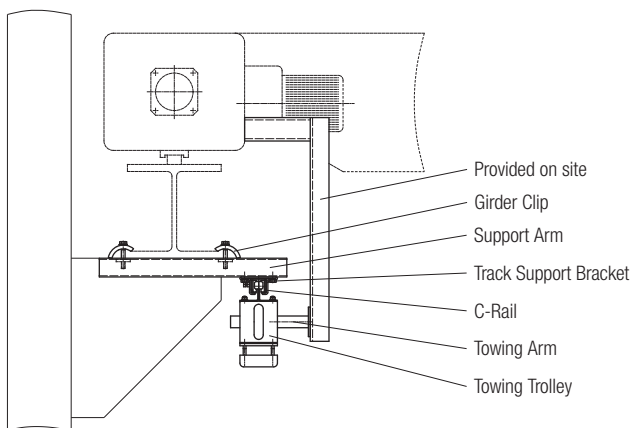
<sup>1)</sup> is not included with the girder clips

# C-Rails and Accessories Program 0240

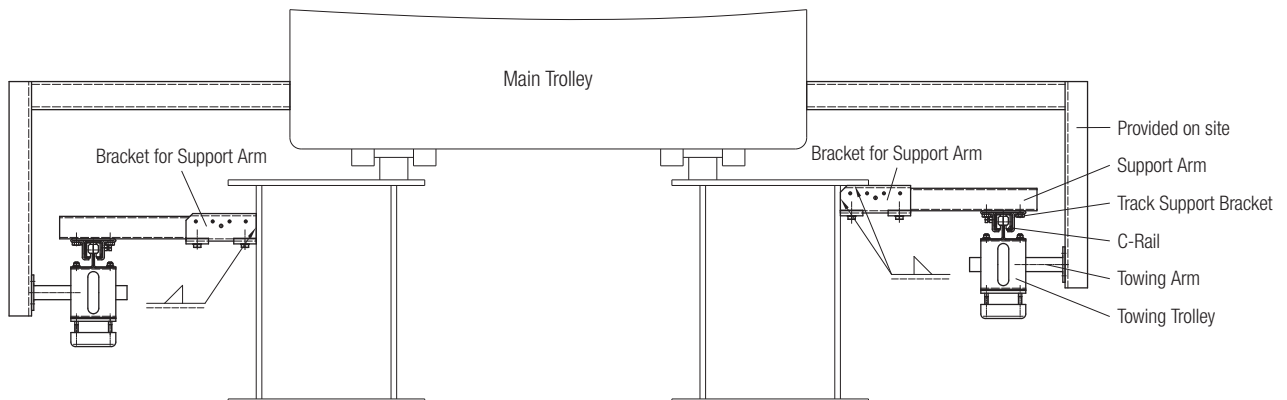
## Application Examples for Support Arm and C-Rail Fastening with Support Arms – unpunched



## Application Examples for Support Arm and C-Rail Fastening with Support Arms – punched

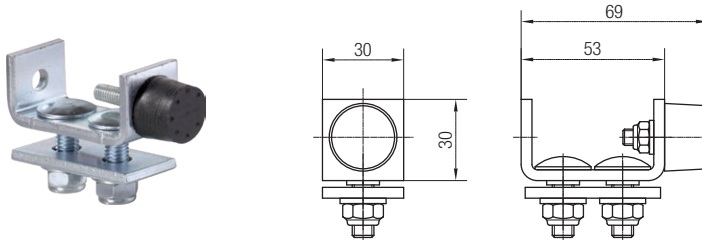


## Application Example for Support Arm and C-Rail Fastening with Welded Brackets



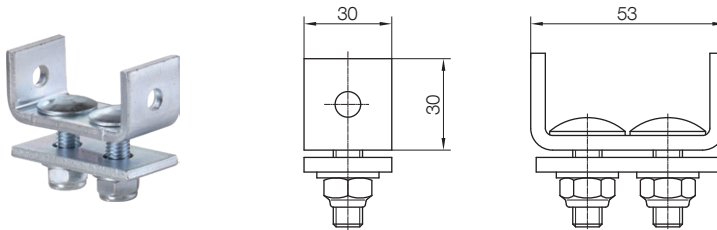
# C-Rails and Accessories Program 0240

## End Stop with Rubber Buffer



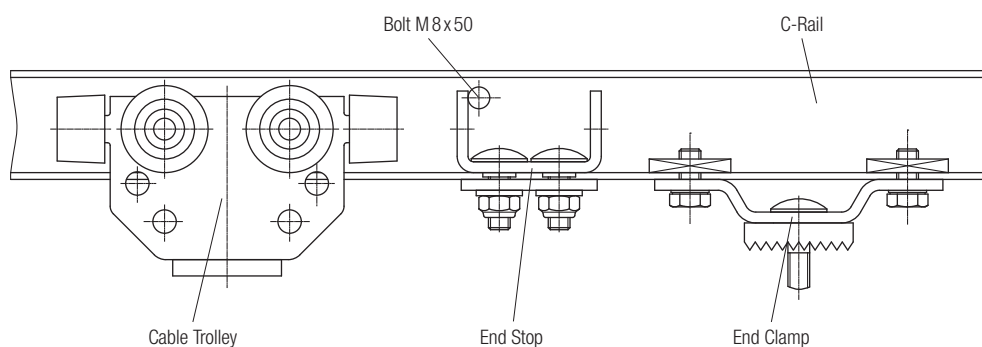
Order No.	Material	Weight [kg]
024111	galvanized steel; rubber buffer	0.190
024181	stainless steel V4A	0.190

## End Stop without Rubber Buffer



Order No.	Material	Weight [kg]
024110	galvanized steel	0.160
024180	stainless steel V4A	0.160

## Application Example for End Stop Assembly

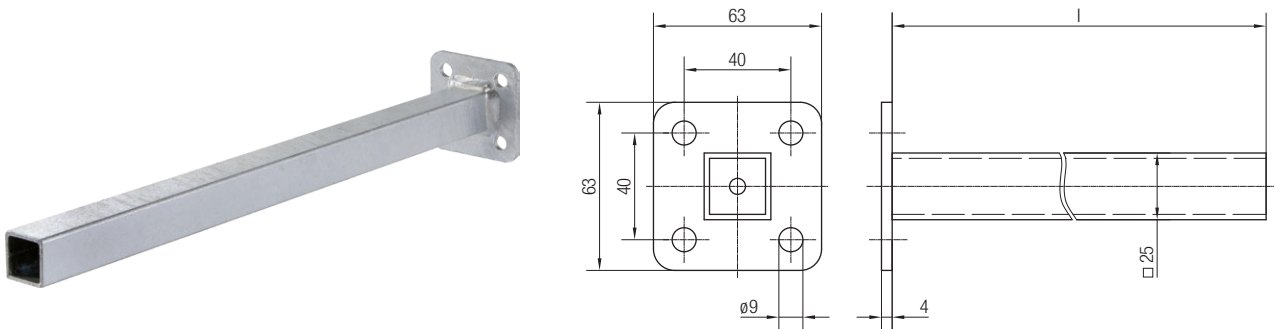


### Note

The end stop is fixed in the C-rail between the end clamp and the cable trolley. This helps to prevent cable trolleys running into the end clamp. For control supply systems with manually driven ideal control trolleys an end stop mounted at the end of the C-rail prevents the ideal control trolley from travelling out of the rail.

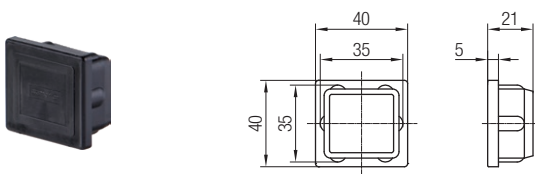
# C-Rails and Accessories Program 0240

## Towing Arms



Order No.	Material	l [mm]	Weight [kg]
020195-400	galvanized steel	400	0.600
020195-630		630	1.000
020495-400	stainless steel V4A	400	0.600
020495-630		630	1.000

## End Caps



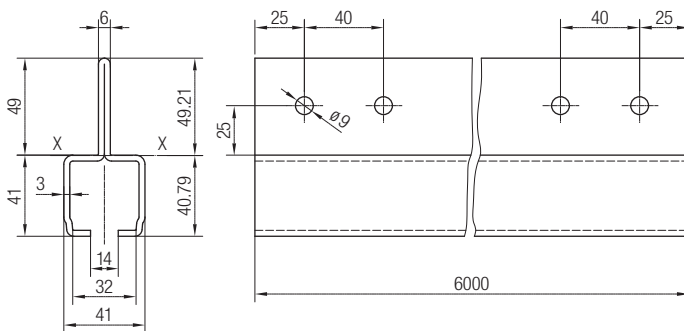
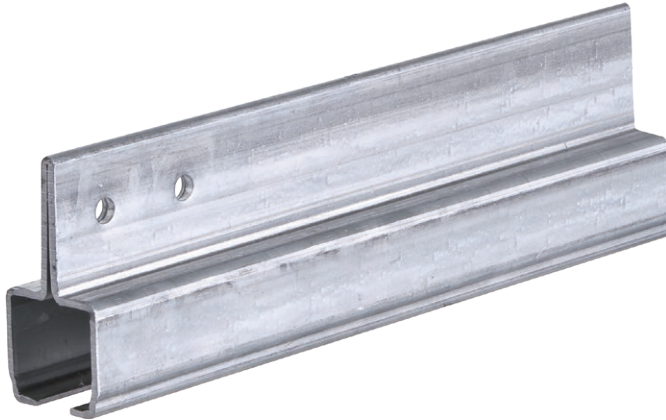
**Order No. 020662-40**

- Material: plastic
- Weight: 0.008 kg

# C-Rails and Accessories

## Program 0240

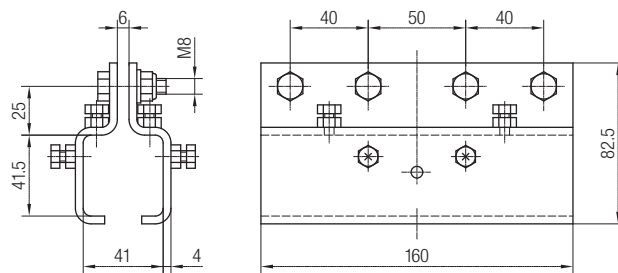
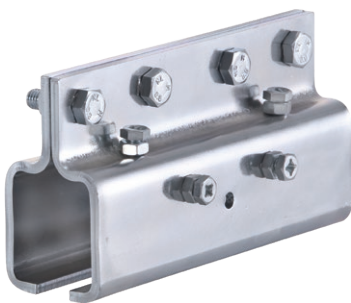
CI-Rail Reinforced Type, Wall Thickness 3.0 mm



### Order No. 024052-6

- Static values:
  - $I_x = 44.20 \text{ cm}^4$
  - $W_x = 8.981 \text{ cm}^3$
- Material: sendzimir, galvanized steel
- Weight: 5.300 kg/m

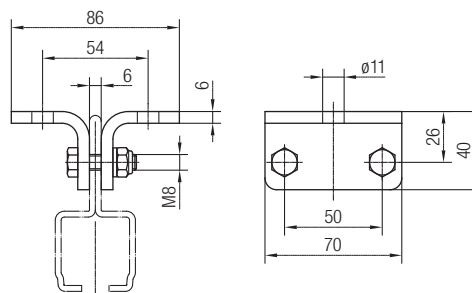
### Track Coupler



### Order No. 024062

- Material: galvanized steel
- Weight: 1.090 kg

### Track Support Bracket



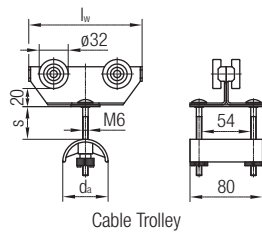
### Order No. 024070

- Material: galvanized steel
- Weight: 0.700 kg

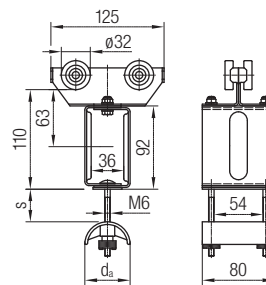
1) 2 holes  $\varnothing 8.4 \text{ mm}$  spaced at 50 mm to be drilled in CI-rail

# Cable Trolleys for Flat Cables Program 0240

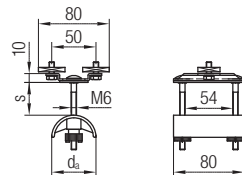
## Steel Cable Trolley with Plastic Cable Support



Cable Trolley



Towing Trolley



End Clamp

### Technical details

- Trolley body: galvanized steel
- Cable supports: plastic
- Hardware: galvanized steel
- Standard rollers: ball bearings, galvanized with ZZ-sealing
- Temperature range: -30°C to +80°C

Cable Trolley Order No.	[kg]	Towing Trolley Order No.	[kg]	End Clamp Order No.	[kg]	$d_a$	$l_w$	$s$	Max. Load Capacity [kg]	Max. Travel Speed [m/min]	Roller Type
						[mm]	[mm]	[mm]			
024246	0.300	024256	0.625	023269	0.185	50	80	15	20.0	40	1
024240-80	0.375	024250	0.700	023269	0.185	50	80	15			
024240	0.460	024250	0.700	023269	0.185	50	125	36	20.0	50	2
024241	0.485	024251	0.745	023279	0.220	80	125	22			

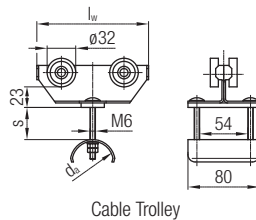
1) Plastic roller and bronze friction bearing    2) Ball bearing, galvanized (ZZ)

### Note

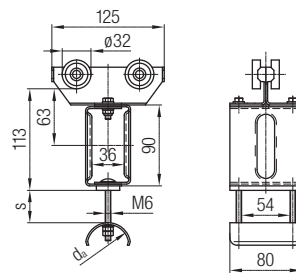
For a better sealing the standard rollers (ZZ) can also be provided with a 2 RS-sealing.  
The order-no. has to be completed with the variation designation .../010.

# Cable Trolleys for Flat Cables Program 0240

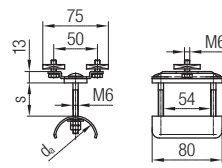
## Steel Cable Trolleys, Light Series without Buffer



Cable Trolley



Towing Trolley



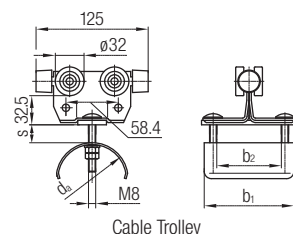
End Clamp

### Technical details

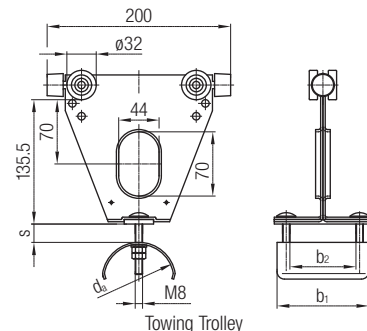
- Trolley body: galvanized steel
- Hardware: galvanized steel
- Standard rollers: ball bearings, galvanized with ZZ-sealing
- Temperature range: -30°C to +80°C
- Stainless steel rollers: ball bearing, V4A with 2RS-sealing
- Temperature range stainless steel: -10°C to +80°C

Cable Trolley Order No.	[kg]	Towing Trolley Order No.	[kg]	End Clamp Order No.	[kg]	d <sub>a</sub> [mm]	l <sub>w</sub> [mm]	s [mm]	Max. Load Capacity [kg]	Max. Travel Speed [m/min]
024244-080	0.460	024254	0.790	023569	0.270	50	80	15	25	50
024244-125	0.550	024254	0.790	023569	0.270	50	125	36		
024245	0.630	024255	0.890	023579	0.370	80	125	22		
024850-080	0.460	024855	0.790	023438	0.270	50	80	15	12.5	50
024850-125	0.550	024855	0.790	023438	0.270	50	125	36		
024851	0.630	024856	0.890	023439	0.370	80	125	22		

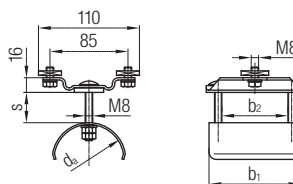
## Steel Cable Trolleys, Light Series with Buffer



Cable Trolley



Towing Trolley



End Clamp

### Technical details

- Trolley body and cable supports: galvanized steel
- Hardware: galvanized steel
- Standard rollers: ball bearings, galvanized with ZZ-sealing
- Temperature range: -30°C to +80°C

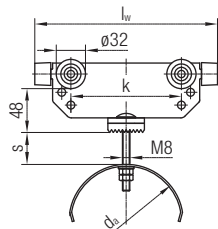
Cable Trolley Order No.	[kg]	Towing Trolley Order No.	[kg]	End Clamp Order No.	[kg]	d <sub>a</sub> [mm]	b <sub>1</sub> [mm]	b <sub>2</sub> [mm]	s [mm]	Max. Load Capacity [kg]	Max. Travel Speed [m/min]
024269-125x100	0.705	024279-200x100	0.905	024289-100x038	0.370	50	100	72	35	28	63
024270-125x100	0.775	024280-200x100	0.975	024290-100x038	0.440	80		20			
024269-125x160	0.970	024279-200x160	1.170	024289-160x038	0.635	50	160	132	35		
024270-125x160	1.040	024280-200x160	1.240	024290-160x038	0.690	80		20			

### Note

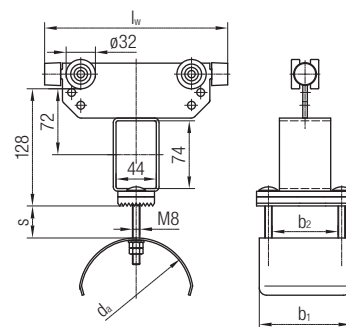
For a better sealing the standard rollers (ZZ) can also be provided with a 2 RS-sealing. The order-no. has to be completed with the variation designation .../010.

# Cable Trolleys for Flat Cables Program 0240

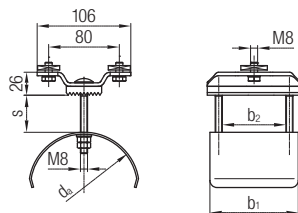
## Steel Cable Trolleys, Heavy Series



Cable Trolley



Towing Trolley



End Clamp

### Technical details

- Trolley body and cable supports: galvanized steel
- Hardware: galvanized steel
- Standard rollers: ball bearing, galvanized with ZZ-sealing
- Temperature range: -30°C to +80°C
- Stainless steel rollers: ball bearing, V4A with 2 RS-sealing
- Temperature range stainless steel: -10°C to +80°C

Cable Trolley Order No.	[kg]	Towing Trolley Order No.	[kg]	End Clamp Order No.	[kg]	d <sub>a</sub>	l <sub>w1</sub> <sup>1)</sup>	l <sub>w2</sub> <sup>2)</sup>	b <sub>1</sub>	b <sub>2</sub>	s	k	Max. Load Capacity [kg]	Max. Travel Speed [m/min]	
						[mm]	[mm]	[mm]	[mm]	[mm]	[mm]	[mm]			[mm]
024210-100x100	0.83	024220-200x100 <sup>3)</sup>	1.65	024230-100x062	0.70	80	100	-	100	72	10	46	32	80 (100)	
024210-125x100	0.85	024220-200x100 <sup>3)</sup>	1.65	024230-100x062	0.70		-	125	100	72	20				
024210-125x160	1.09	024220-200x160 <sup>3)</sup>	2.09	024230-160x062	0.94		-	125	160	132	20	81	32	80 (100)	
024210-135x100	0.91	024220-200x100 <sup>3)</sup>	1.65	024230-100x062	0.70		135	-	100	72	27				
024210-160x100	0.93	024220-200x100 <sup>3)</sup>	1.65	024230-100x062	0.70		-	160	100	72	38	121	32	80 (100)	
024210-160x160	1.17	024220-200x160 <sup>3)</sup>	2.09	024230-160x062	0.94		-	160	160	132	38				
024210-200x100	1.05	024220-200x100	1.65	024230-100x062	0.70		-	200	100	72	58	121	32	80 (100)	
024210-200x160	1.29	024220-200x160	2.09	024230-160x062	0.94		-	200	160	132	58				
024212-160x100	1.05	024222-200x100 <sup>3)</sup>	1.75	024232-100x042	0.80	125	-	160	100	72	15	81	32	80 (100)	
024212-160x160	1.38	024222-200x160 <sup>3)</sup>	2.28	024232-160x042	1.13		-	160	160	132	15				
024212-200x100	1.15	024222-200x100	1.75	024232-100x042	0.80		-	200	100	72	35	121	32	80 (100)	
024212-200x160	1.48	024222-200x160	2.28	024232-160x042	1.13		-	200	160	132	35				
024212-250x100	1.39	024222-250x100	1.99	024232-100x062	0.82		-	250	100	72	60	171	32	80 (100)	
024212-250x160	1.72	024222-250x160	2.52	024232-160x062	1.15		-	250	160	132	60				
024213-200x100	1.30	024223-200x100	1.90	024233-100x042	1.00		160	-	200	115	72	18	121	32	80 (100)
024213-200x160	1.72	024223-200x160	2.52	024233-160x042	1.40			-	200	175	132	18			
024213-250x100	1.40	024223-250x100	2.00	024233-100x042	1.10	-		250	115	72	42	171	32	80 (100)	
024213-250x160	1.82	024223-250x160	2.62	024233-160x042	1.40	-		250	175	132	42				
024213-250x200	2.21	024223-250x200	3.01	024233-200x042	1.85	-		250	215	172	42	171	32	80 (100)	
024214-250x160	2.07	024224-250x160	2.87	024234-160x042	1.65	-		250	175	132	22				
024214-320x200	2.76	024224-320x200	3.56	024234-200x062	2.22	200		-	320	215	172	58	241	32	80 (100)
024810-125x100	0.85	024820-200x100 <sup>3)</sup>	1.65	024830-100x062	0.70	80		-	125	100	72	20	46	16	80
024810-200x100	1.05	024820-200x100	1.65	024830-100x062	0.70		-	200	100	72	58	121			
024812-160x100	1.05	024822-200x100 <sup>3)</sup>	1.75	024832-100x042	0.80	125	-	160	100	72	15	81	16	80	
024812-250x100	1.39	024822-250x100	1.99	024832-100x062	0.82		-	250	100	72	60				
024812-250x160	1.72	024822-250x160	2.52	024832-160x062	1.15		-	250	160	132	60	171	16	80	
024913-200x100	1.28	024923-200x100	1.88	024933-100x042	0.98		-	200	100	72	18				121
024913-250x160	1.86	024923-250x160	2.66	024933-160x042	1.44	160	-	250	160	132	42	171	16	80	
024814-280x160	2.17	024824-280x160	2.97	024834-160x042	1.65	200	-	280	175	132	38	201	16	80	

1) without buffer 2) with buffer 3) length of the towing trolley = 200 mm

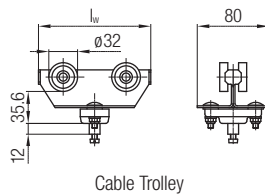
### Note

For a better sealing the standard rollers (ZZ) can also be provided with a 2 RS-sealing.  
The order-no. has to be completed with the variation designation .../010.  
For high speeds up to 100 m/min and/or silent running rollers with polyurethane bandage can be used.  
The order-no. has to be completed with the variation designation .../017.

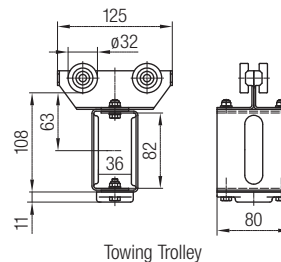


# Cable Trolleys for Round Cables Program 0240

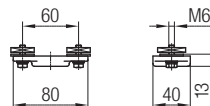
## Steel Cable Trolleys with Ball Joint for Cable Clips 020131, Light Series without Buffer



Cable Trolley



Towing Trolley



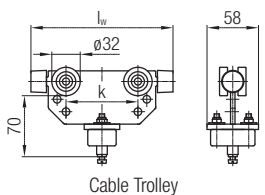
End Clamp

### Technical details

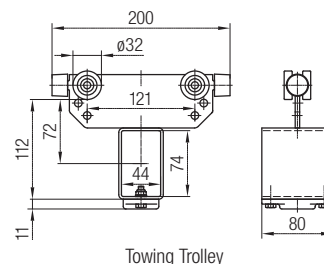
- Trolley body: galvanized steel
- Ball joint: plastic
- Hardware: galvanized steel
- Standard rollers: ball bearings, galvanized with ZZ-sealing
- Temperature range: -30°C to +60°C
- Stainless steel rollers: ball bearings, V4A with 2RS-sealing
- Temperature range stainless steel: -10°C to +60°C

Cable Trolley Order No.	[kg]	l <sub>w</sub> [mm]	Towing Trolley Order No.	[kg]	End Clamp Order No.	[kg]	Max. Load Capacity [kg]	Max. Travel Speed [m/min]
024313-80	0.36	80	024314	0.67	024312	0.15	20	50
024313	0.45	125						
024860-080	0.36	80	024861	0.67	024862	0.15	16	50
024860-125	0.45	125						

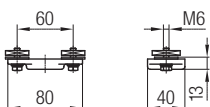
## Steel Cable Trolleys with Ball Joint for Cable 020131, Heavy Series with Buffer



Cable Trolley



Towing Trolley



End Clamp

### Technical details

- Trolley body: galvanized steel
- Ball joint: plastic
- Hardware: galvanized steel
- Standard rollers: ball bearings, galvanized with ZZ-sealing
- Temperature range: -30°C to +60°C
- Stainless steel rollers: ball bearings, V4A with 2RS-sealing
- Temperature range stainless steel: -10°C to +60°C

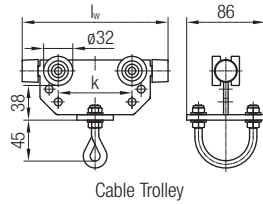
Cable Trolley Order No.	[kg]	l <sub>w</sub> [mm]	k [mm]	Towing Trolley Order No.	[kg]	End Clamp Order No.	[kg]	Max. Load Capacity [kg]	Max. Travel Speed [m/min]
024310-125	0.54	125	58.4	024311	1.00	024312	0.15	20	63
024310-160	0.62	160	81						
024880-125	0.54	125	46	024881	1.00	024862	0.15	16	63

### Notes

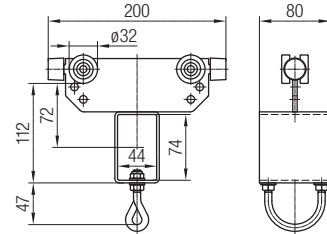
- For a better sealing the standard rollers (ZZ) can also be provided with a 2 RS-sealing. The order-no. has to be completed with the variation designation .../010.
- For max. 3 cables in separate cable clips, suspended one below the other
- Appropriate for cable clips:  
020131-16, 020131-25, 020131-36 (only suited for trolley length ≥ 125 mm);  
020431-16, 020431-25, 020431-36 (only suited for trolley length ≥ 125 mm)

# Cable Trolleys for Round Cables Program 0240

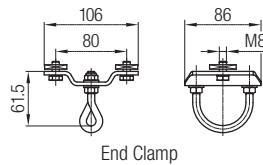
## Steel Cable Trolleys with Bracket for Cable Clips 020133, Heavy Series with Buffer



Cable Trolley



Towing Trolley



End Clamp

### Technical details

- Trolley body and bracket: galvanized steel
- Hardware: galvanized steel
- Standard rollers: ball bearings, galvanized with ZZ-sealing
- Temperature range: -30°C to +80°C
- Stainless steel rollers: ball bearing, V4A with 2RS-sealing
- Temperature range stainless steel: -10°C to +80°C

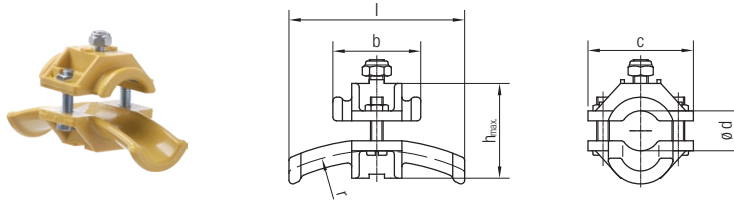
Cable Trolley Order No.	[kg]	l <sub>w</sub> [mm]	k [mm]	Towing Trolley	[kg]	End Clamp	[kg]	Max. Load Capacity [kg]	Max. Travel Speed [m/min]
				Order No.		Order No.			
024320-125	0.58	125	46	024321	1.00	024322	0.46	32	80
024320-160	0.66	160	81						
024320-200	0.76	200	121						
024885-125	0.58	125	46	024886	1.00	024887	0.46	16	80

### Note

For a better sealing the standard rollers (ZZ) can also be provided with a 2 RS-sealing.  
The order-no. has to be completed with the variation designation .../010.

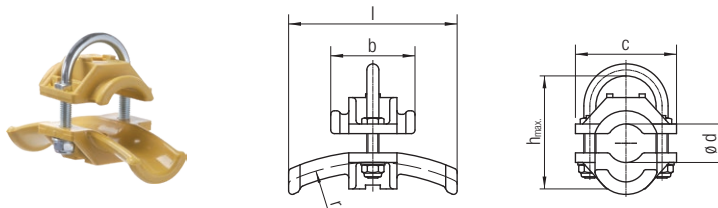
# Cable Trolleys for Round Cables Program 0240

## Cable Clips for Fixation at the Ball Joint



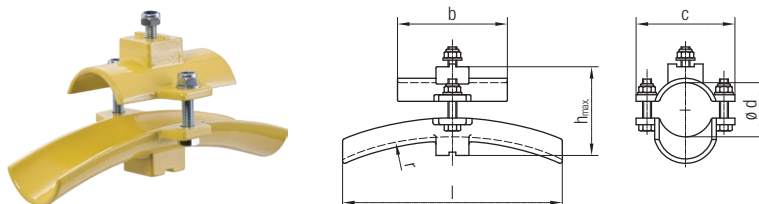
Order No.	for Cable- $\phi$ d [mm]	r [mm]	l [mm]	h [mm]	b [mm]	c [mm]	Material	Weight [kg]
020131-16	10 ... 16	80	70	38	35	42	plastic. hardware: galvanized steel	0.040
020131-25	17 ... 25	125	100	47	50	50		0.060
020131-36	26 ... 36	180	140	58	70	64		0.120
020431-16	10 ... 16	80	70	38	35	42	plastic, acid-resistant. hardware: stainless steel V4A	0.040
020431-25	17 ... 25	125	100	47	50	50		0.060
020431-36	26 ... 36	180	140	58	70	64		0.120

## Cable Clips for Fixation at the Bracket



Order No.	for Cable- $\phi$ d [mm]	r [mm]	l [mm]	h [mm]	b [mm]	c [mm]	Material	Weight [kg]
020133-16	10 ... 16	80	70	48	35	42	plastic. hardware: galvanized steel	0.050
020133-25	17 ... 25	125	100	60	50	50		0.070
020133-36	26 ... 36	180	140	78	70	64		0.140
020133-50	37 ... 50	250	200	100	100	90	aluminum. hardware: galvanized steel	0.280
020133-63	51 ... 63	315	250	125	120	100		0.480
020433-16	10 ... 16	80	70	48	35	42	plastic, acid-resistant. hardware: stainless steel V4A	0.040
020433-25	17 ... 25	125	100	60	50	50		0.060
020433-36	26 ... 36	180	140	78	70	64		0.120

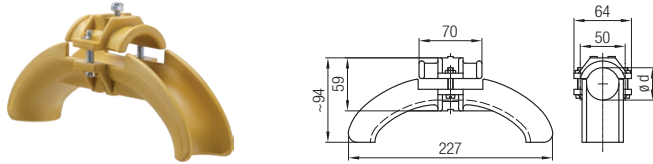
## Additional Cable Clips for Combinations with Sizes 50 and 63 of Types 020133



Order No.	for Cable- $\phi$ d [mm]	r [mm]	l [mm]	h [mm]	b [mm]	c [mm]	Material	Weight [kg]
020131-50	37 ... 50	250	200	80	100	90	aluminum, hardware: galvanized steel	0.260
020131-63	51 ... 63	315	250	105	125	100		0.460

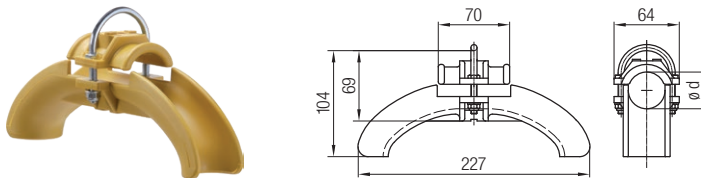
# Cable Trolleys for Round Cables Program 0240

## Hose Clip for Fixation at the Ball Joint



Order No.	Material	Hardware	for Hose- $\varnothing$ d [mm]	Weight [kg]
020130-36	plastic	galvanized steel	26 - 36	0.130

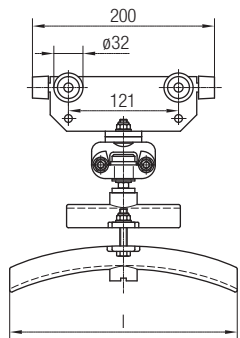
## Hose Clip for Fixation at the Bracket



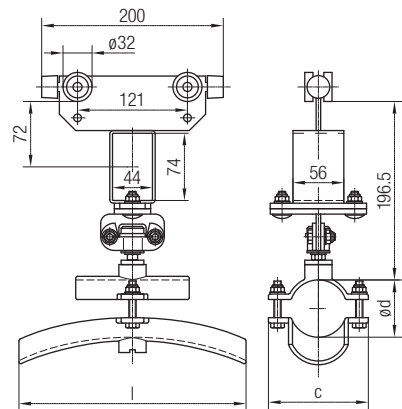
Order No.	Material	Hardware	for Hose- $\varnothing$ d [mm]	Weight [kg]
020138-36	plastic	galvanized steel	26 - 36	0.150

# Cable Trolleys for Round Cables Program 0240

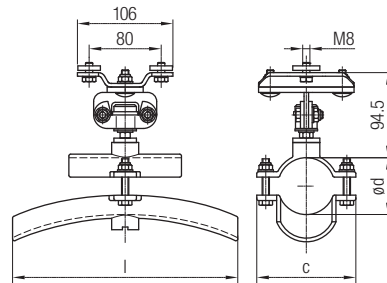
## Cable Trolley with Cable Clips, Heavy Series, Rotatable



Cable Trolley



Towing Trolley



End Clamp

### Technical details

- Trolley body and bracket: galvanized steel
  - Cable clips: aluminium
  - Hardware: galvanized steel
  - Standard rollers: ball bearings, galvanized with ZZ-sealing
  - Temperature range: -30°C to +80°C
  - For a better sealing the standard rollers (ZZ) can also be provided with a 2 RS-sealing
- The order-no. has to be completed with the variation designation .../010.

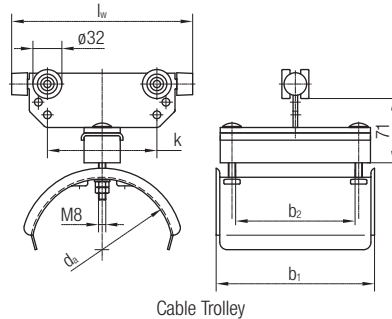
Cable Trolley Order No.	[kg]	l [mm]	ø d [mm]	c [mm]	Towing Trolley Order No.	[kg]	End Clamp Order No.	[kg]	Max. Load Capacity [kg]	Max. Travel Speed [m/min]
024528-200x050	1.54	200	37-50	90	024527-200x050	1.85	024529-050	1.20	32	80
024528-200x063	1.74	250	51-63	100	024527-200x063	2.15	024529-063	1.40		

### Note

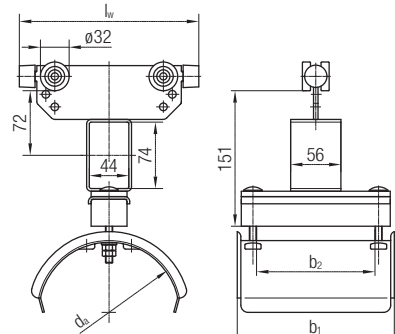
Can be combined with cable clips 020131-50 and 020131-63

# Cable Trolleys for Round Cables Program 0240

Steel Cable Trolleys, Heavy Series  
for Clamping of Round Cables with a max. Difference in Diameter of 6 mm



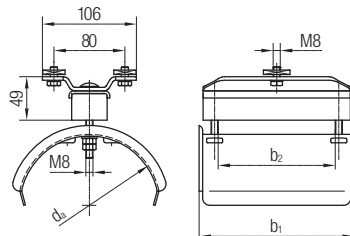
Cable Trolley



Towing Trolley

## Technical details

- Trolley body and cable supports: galvanized steel
- Hardware: galvanized steel
- Standard rollers: ball bearings, galvanized with ZZ-sealing
- Temperature range: -30°C to +80°C
- Stainless steel rollers: ball bearing, V4A with 2RS-sealing
- Temperature range stainless steel: -10°C to +80°C



End Clamp

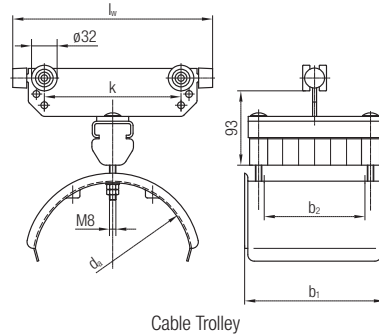
Cable Trolley Order No.	[kg]	Towing Trolley Order No.	[kg]	End Clamp Order No.	[kg]	d <sub>a</sub>	l <sub>w</sub>	b <sub>1</sub>	b <sub>2</sub>	k	Max. Load Capacity [kg]	Max. Travel Speed [m/min]
024442-160x100	1.30	024452-200x100	2.00	024462-100	1.10	125	160	115	72	81	32	80 (100)
024442-160x160	1.57	024452-200x160	2.37	024462-160	1.35	125	160	175	132	81		
024443-200x160	1.92	024453-200x160	2.72	024463-160	1.60	160	200	175	132	121		
024444-250x100	1.70	024454-250x100	2.20	024464-100	1.30	200	250	115	72	171		
024444-250x160	2.27	024454-250x160	3.07	024464-160	1.85	200	250	175	132	171		
024943-200x160	1.92	024953-200x160	2.72	024963-160	1.60	160	200	175	132	121	16	80

## Note

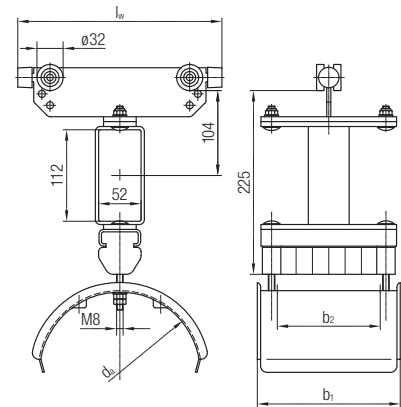
For a better sealing the standard rollers (ZZ) can also be provided with a 2 RS-sealing.  
The order-no. has to be completed with the variation designation .../010.

# Cable Trolleys for Round Cables Program 0240

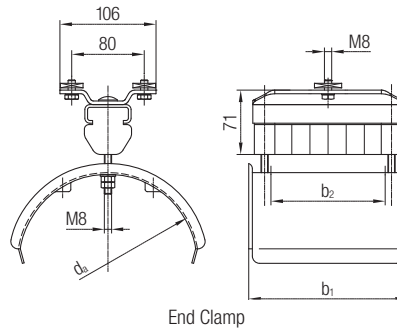
Steel Cable Trolleys, Heavy Series  
for Clamping of Round Cables with a max. Difference in Diameter of 16 mm



Cable Trolley



Towing Trolley



End Clamp

### Technical details

- Trolley body and cable supports: galvanized steel
- Hardware: galvanized steel
- Standard rollers: ball bearings, galvanized with ZZ-sealing
- Temperature range: -30°C to +80°C
- Stainless steel rollers: ball bearing, V4A with 2RS-sealing
- Temperature range stainless steel: -10°C to +80°C

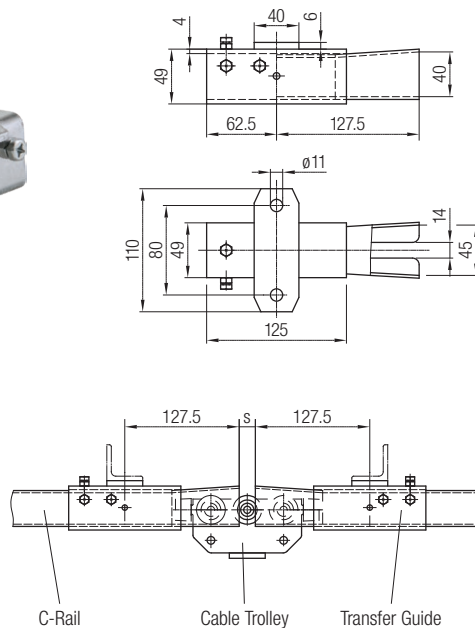
Cable Trolley Order No.	[kg]	Towing Trolley Order No.	[kg]	End Clamp Order No.	[kg]	d <sub>a</sub>	l <sub>w</sub>	b <sub>1</sub>	b <sub>2</sub>	k	Max. Load Capacity [kg]	Max. Travel Speed [m/min]
024474-250x160	2.27	024484-250x160	3.07	024494-160	1.85	200	250	175	125	171	32	80 (100)
024474-250x200	2.67	024484-250x200	3.47	024494-200	2.25	200	250	215	165	171		
024475-320x160	2.72	024485-320x160	3.52	024495-160	2.10	250	320	175	125	241		
024475-320x200	3.12	024485-320x200	3.92	024495-200	2.50	250	320	215	165	241		
024477-400x250	4.52	024487-400x250	5.32	024497-250	3.70	320	400	265	215	321		
024974-250x160	2.27	024984-250x160	3.07	024994-160	1.85	200	250	175	125	171		
024975-320x250	3.62	024985-320x250	4.42	024995-250	3.00	250	320	265	215	241		

### Note

For a better sealing the standard rollers (ZZ) can also be provided with a 2 RS-sealing.  
The order-no. has to be completed with the variation designation .../010.

# Cable Trolleys and Accessories for Traversing, Program 0240

## Transfer Guide for C-Rail 024100



### Order No. 024107

- Material: galvanized steel
- Weight: 1.200 kg

### Notes

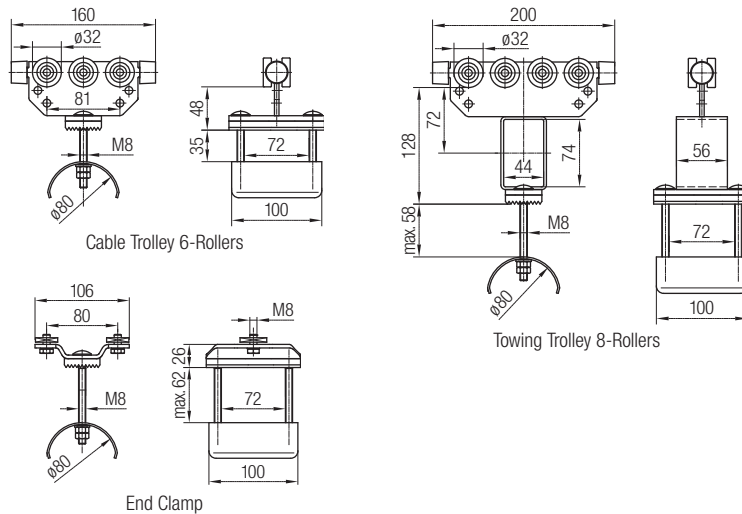
- Two transfer guides must be mounted at the transfer point with the inlet openings against each other
- The distance "s" must not exceed 18 mm
- Vertical deflection max. 2.0 mm
- Horizontal deflection max. 5.0 mm
- All cable trolleys, that pass this transition point must be provided with 3, the towing trolley with 4 pairs of rollers
- Cable trolleys that do not pass this transition point can be used in standard design

## Cable Trolleys for Flat Cables with Additional Rollers



### Technical details

- Trolley body and cable supports: galvanized steel
- Hardware: galvanized steel
- Standard rollers: ball bearings, galvanized with ZZ-sealing
- Temperature range: -30°C to +80°C

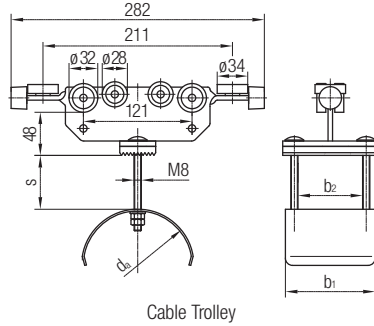
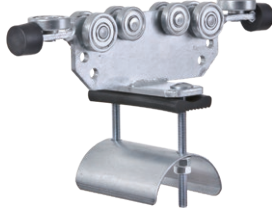


Cable Trolley Order No.	[kg]	Towing Trolley Order No.	[kg]	End Clamp Order No.	[kg]	Max. Load Capacity [kg]	Max. Travel Speed [m/min]
024210-160x100/20	1.03	024220-200x100/020x2	1.85	024230-100x062	0.70	32	63

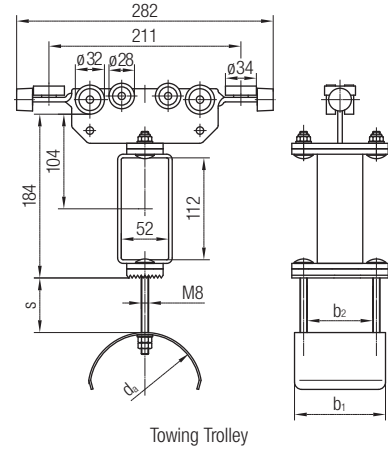


# Cable Trolley for Applications with Increased Horizontal Forces | Program 0240

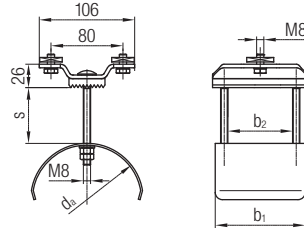
## Cable Trolleys with Horizontal Guide Rollers



Cable Trolley



Towing Trolley



End Clamp

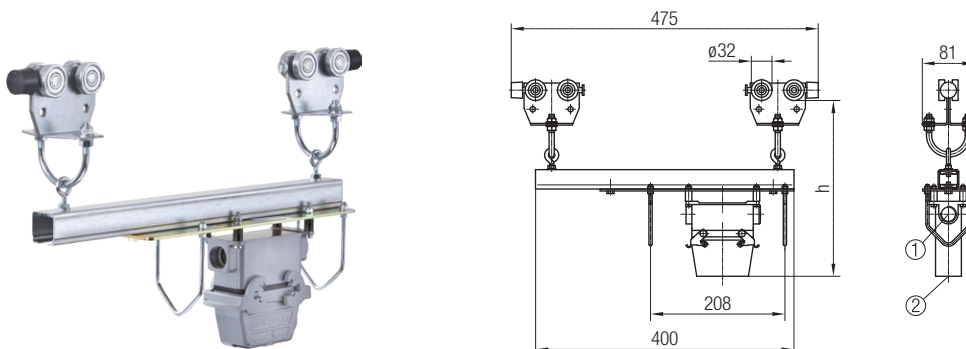
### Technical details

- Trolley body and cable supports: galvanized steel
- Hardware: galvanized steel
- Standard rollers: ball bearings, galvanized with ZZ-sealing
- Temperature range: -30°C to +80°C

Cable Trolley Order No.	[kg]	Towing Trolley Order No.	[kg]	End Clamp Order No.	[kg]	d <sub>a</sub> [mm]	b <sub>1</sub> [mm]	b <sub>2</sub> [mm]	s [mm]	Max. Load Capacity [kg]	Max. Travel Speed [m/min]
024210-200x100/040	1.44	024220-200x100/040	2.21	024230-100x062	0.70	80	100	72	60	32	63
024210-200x160/040	1.68	024220-200x160/040	2.57	024230-160x062	0.94	80	160	132			
024212-200x100/040	1.54	024222-200x100/040	2.31	024232-100x062	0.82	125	100	72			
024212-200x160/040	1.87	024222-200x160/040	2.76	024232-160x062	1.15	125	160	132			

# Ideal Control Unit Trolleys Program 0240

## Ideal Control Unit Trolleys with Plug and Socket Connection – Basic Configuration



### Technical details

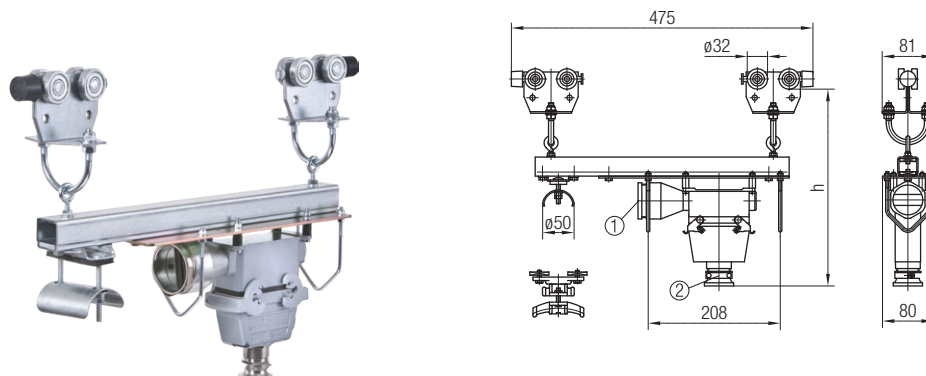
- Protection Class Plug, IP54 in locked position
- Trolley body and cross bar: galvanized steel
- Hardware: galvanized steel
- Standard rollers: ball bearings, galvanized with ZZ-sealing
- Temperature range: -30°C to +80°C

### Note

Ideal control unit trolley with basic configuration without end clamp and without cable glands  
Cables must be strain relieved

Order No.	Number of Poles	Connecting Threads		h [mm]	possible Attachment Parts	Weight [kg]	Max. Load Capacity [kg]	Max. Travel Speed [m/min]
		①	②					
024776-16	16+PE	M25x1.5	M25x1.5	275	end clamp 023269 and 023299 brake glider 024784 and brake trolley 024785	3.04	40	63
024776-24	24+PE	M25x1.5	M32x1.5	290		3.34		

## Ideal Control Unit Trolleys with Plug and Socket Connection – Pre-Assembled



### Technical details

- Protection Class Cable Gland, IP54
- Protection Class Plug, IP54 in locked position
- Trolley body and cross bar: galvanized steel
- Hardware: galvanized steel
- Standard rollers: ball bearings, galvanized with ZZ-sealing
- Temperature range: -30°C to +80°C

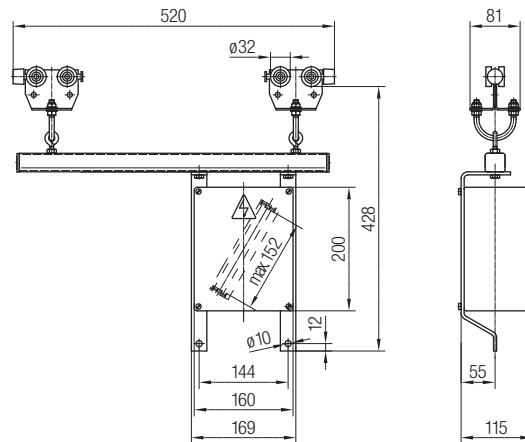
### Note

Ideal control unit trolley pre-assembled with end clamp and with cable glands

Order No.	Number of Poles	Cable Glands		h [mm]	Type for	possible Attachment Parts	Weight [kg]	Max. Load Capacity [kg]	Max. Travel Speed [m/min]
		①	②						
024778-16	16+PE	25x42	25x21	310	flat cables	brake glider 024784 brake trolley 024785	3.61	40	63
024778-24	24+PE	25x42	32x29	325			3.99		
024779-16	16+PE	25x29	25x21	310	round cables		3.40		
024779-24	24+PE	25x29	32x29	325			3.78		

# Ideal Control Unit Trolleys Program 0240

## Ideal Control Unit Trolley with Plastic Terminal Box – Basic Configuration



### Technical details

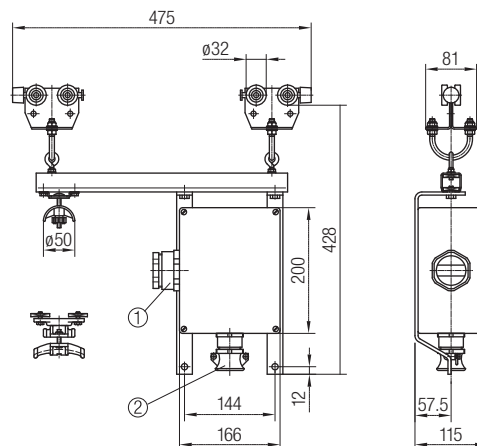
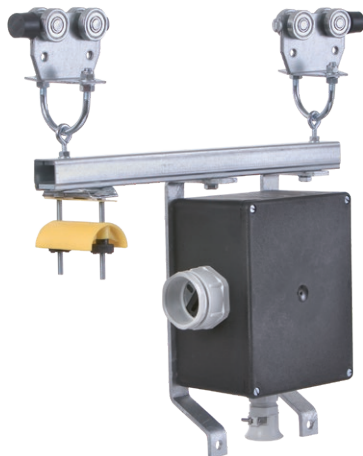
- Protection Class Terminal Box, IP54
- Trolley body and cross bar: galvanized steel
- Hardware: galvanized steel
- Standard rollers: ball bearings, galvanized with ZZ-sealing
- Temperature range: -30°C to +80°C

### Note

Ideal control unit trolley with basic configuration without end clamp, cable glands and terminals  
Cables must be strain relieved

Order No.	possible Attachment Parts	Weight [kg]	Max. Load Capacity [kg]	Max. Travel Speed [m/min]
024780	end clamp 023269, 023299; brake glider 024784; brake trolley 024785	4.3	40	63

## Ideal Control Unit Trolleys with Plastic Terminal Box – Pre-Assembled



### Technical details

- Protection Class Terminal Box, IP54
- Protection Class Cable Gland, IP54
- Trolley body and cross bar: galvanized steel
- Hardware: galvanized steel
- Standard rollers: ball bearings, galvanized with ZZ-sealing
- Temperature range: -30°C to +80°C

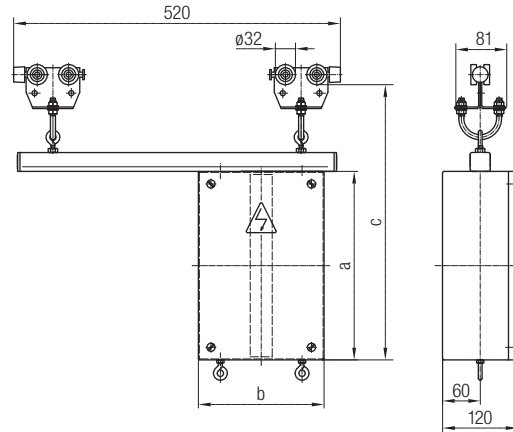
### Note

Ideal control unit trolley pre-assembled with end clamp, cable glands and terminals for cable 4 mm<sup>2</sup>

Order No.	Number of Poles	Cable Glands		Type for	possible Attachment Parts	Weight [kg]	Max. Load Capacity [kg]	Max. Travel Speed [m/min]
		①	②					
024774-16	16 + PE	50x42	25x21	flat cables	brake glider 024784	5.35	40	63
024774-24	24 + PE	50x42	32x29			5.75		
024775-16	16 + PE	32x29	25x21	round cables	brake trolley 024785	5.30	40	63
024775-24	24 + PE	32x29	32x29			5.61		

# Ideal Control Unit Trolleys Program 0240

## Ideal Control Unit Trolleys with Terminal Box of Steel – Basic Configuration



### Technical details

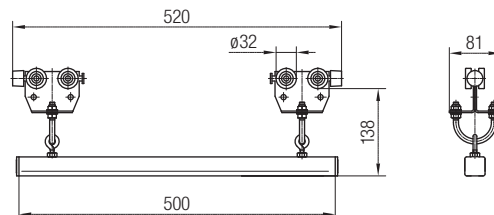
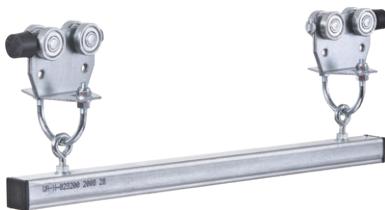
- Protection Class Terminal Box, IP66
- Trolley body and cross bar: galvanized steel Hardware: galvanized steel
- Standard rollers: ball bearings galvanized with ZZ-sealing
- Temperature range: -30°C to +80°C
- Stainless steel rollers: ball bearings V4A with 2RS-sealing
- Temp. range, stainless steel: -10°C to +80°C

### Note

Ideal control unit trolley with basic configuration without end clamp, cable glands and terminals

Order No.	a [mm]	b [mm]	c [mm]	possible Attachment Parts	Weight [kg]	Max. Load Capacity [kg]	Max. Travel Speed [m/min]
024781-200x200	200	200	338	end clamp 023269, 023299 brake glider 023184; brake trolley 023185	5.30	40	63
024781-300x200	300		438		6.30		
024791-200x200	200	200	338	end clamp 023469, 023499	5.30	20	63
024791-300x200	300		438		6.30		

## Control Trolley Upper Parts



### Technical details

- Trolley body and cross bar: galvanized steel
- Hardware: galvanized steel
- Standard rollers: ball bearings, galvanized with ZZ-sealing
- Temperature range: -30°C to +80°
- Stainless steel rollers: ball bearings V4A with 2RS-sealing
- Temperature range stainless steel: -10°C to +80°C

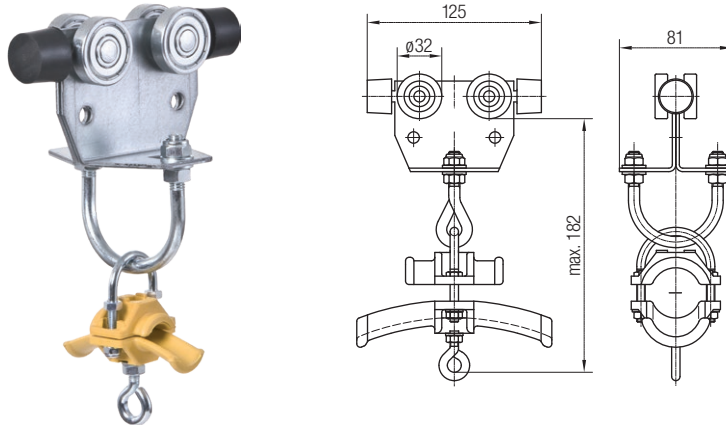
### Note

For a better sealing the standard rollers (ZZ) can also be provided with a 2RS-sealing. The order-no. has to be completed with the variation designation ... / 010.

Order No.	Weight [kg]
024771	1.95
024771/500	1.95

# Ideal Control Unit Trolleys Program 0240

## Basic Ideal Control Unit Trolleys for Round Cables



### Technical details

- Trolley body and bracket: galvanized steel
- Hardware: galvanized steel
- Standard rollers: ball bearings, galvanized with ZZ-sealing
- Cable clips: plastic
- Temperature range: -30°C to +80°C

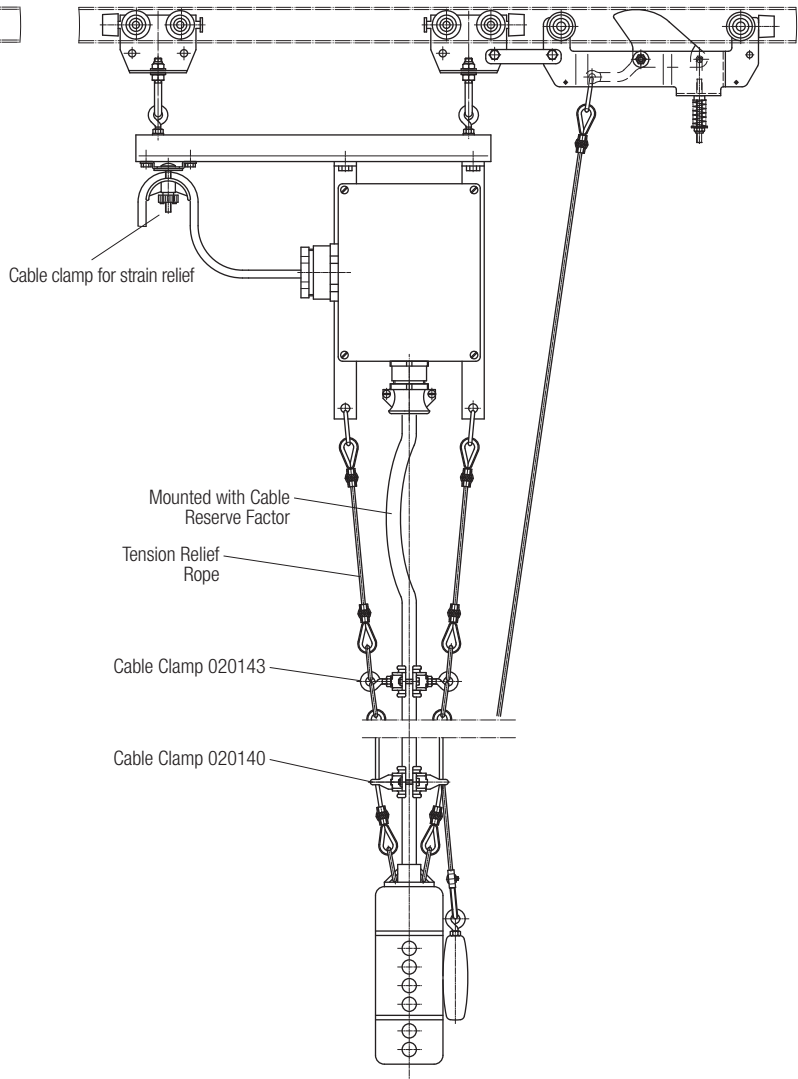
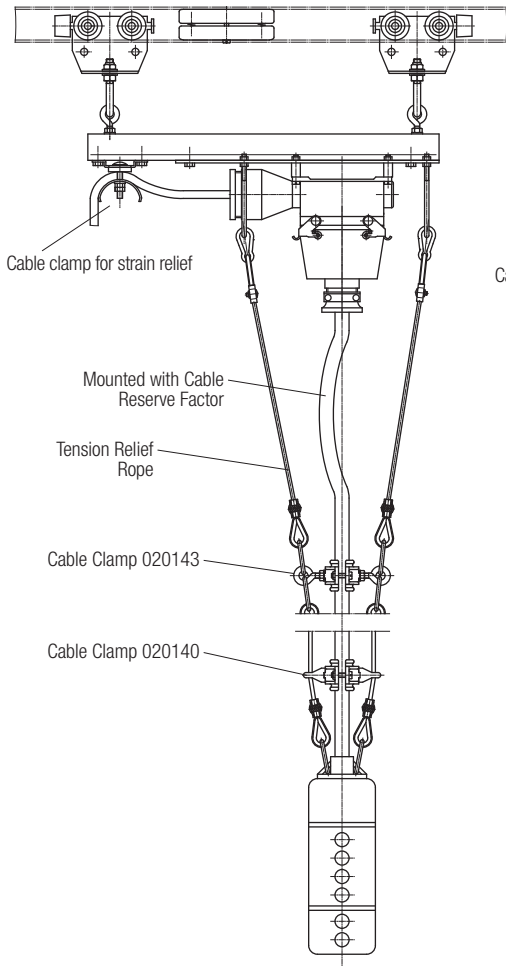
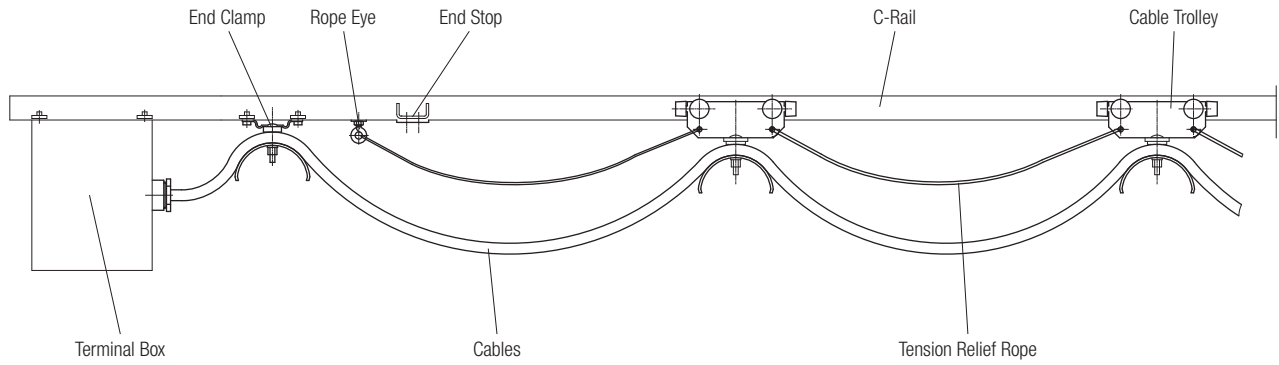
Order No.	for Cable- $\phi$ [mm]	Weight [kg]
024711-16	10 ... 16	0.640
024711-25	17 ... 25	0.660
024711-36	26 ... 36	0.720

### Note

These control trolleys are used if the round cable is installed directly and without an additional terminal box up to the control station.

# Accessories for Festoon Systems Program 0240

## Application Examples

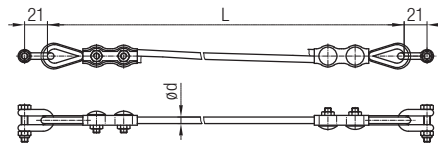


**Note**

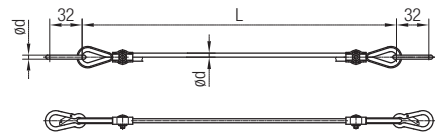
Special pendant station round cables with extruded steel ropes, that do not require separate tension relief devices, are listed in our cable catalog KAT0130-0002.

# Accessories for Festoon Systems Program 0240

## Towing Ropes Pre-Assembled



Type A (Shackle)



Type B (with spring safety hook)

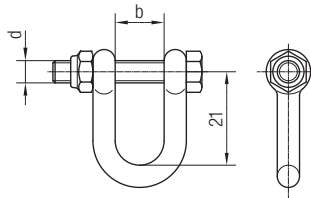
Order No.	ø d [mm]	Type	Material	Weight [kg/m]
020318-06	6.0	A	plastic	0.14
020329-04	4.0		steel. PVC-covered	0.16
020329-02,5	2.5	B		0.14
020318-06/500	6.0	A	acid-resistant plastic	0.14

## Ropes



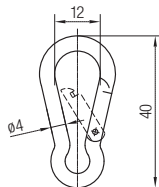
Order No.	ø d [mm]	Material	Weight [kg/m]
020302-6	6.0	plastic	0.020
020305-02,5	2.5	steel. PVC-covered	0.009
020301-6	6.0	acid-resistant plastic	0.020
020304-02	2.0	stainless steel V4A	0.015

## Shackles



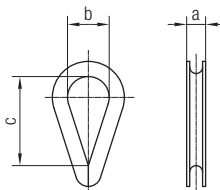
Order No.	d	b [mm]	Package Size [pc.]	Material	Weight [kg]
020211-6P	M6	8	20	galvanized steel	0.400
020211-5P/501	M5	11	20	stainless steel V4A	0.300

## Spring Safety Hook



Order No.	Material	Weight [kg]
020215-40x4	galvanized steel	0.010
020415-40x4	stainless steel V4A	0.010

## Rope Thimbles

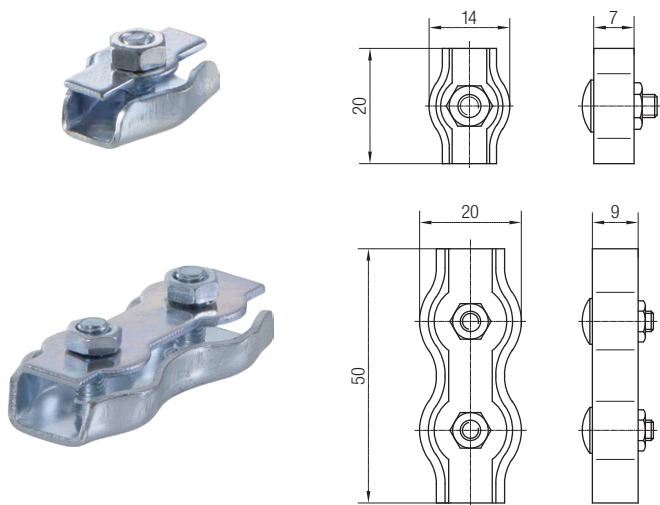


Order No.	a [mm]	b [mm]	c [mm]	Material	Weight [kg]
020120-3	5.0	11	23.5	galvanized steel	0.008
020120-4	6.5	13	28.5		0.010
020450-3	5.0	11	23.5	stainless steel V4A	0.008
020450-4	6.5	13	28.5		0.010

Design in stainless steel V4A or acid-resistant plastic

# Accessories for Festoon Systems Program 0240

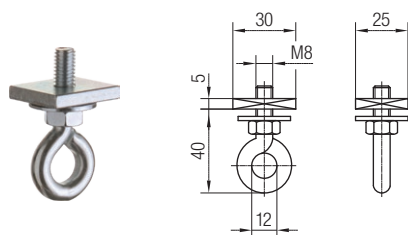
## Rope Clip



Simplex Rope Clip Order No.	Material	Weight [kg]
020122-3	galvanized steel	0.010
020452-3	stainless steel V4A	0.010

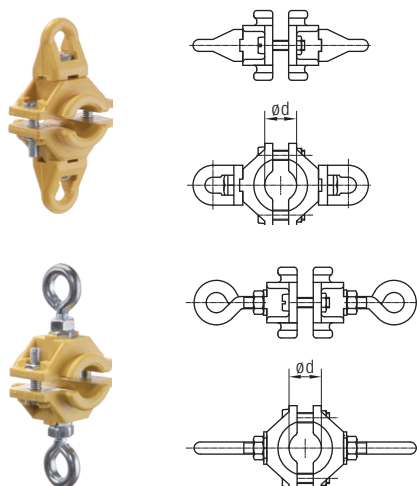
Duplex Rope Clip Order No.	Material	Weight [kg]
020123-5	galvanized steel	0.030
020453-5	stainless steel V4A	0.030

## Rope Eyes



Order No.	Material	Weight [kg]
020218-08	galvanized steel	0.07
020458-08	stainless steel V4A	0.07

## Cable Clamps



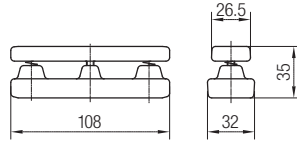
Cable Clamp Order No.	ø d [mm]	Material	Weight [kg]
020140-16	11 ... 16	plastic, hardware: galvanized steel	0.05
020140-25	17 ... 25		0.08
020140-36	26 ... 36		0.13

Cable Clamp Order No.	ø d [mm]	Material	Weight [kg]
020143-16	10 ... 16	plastic, hardware: galvanized steel	0.06
020143-25	17 ... 25		0.08
020143-36	26 ... 36		0.14

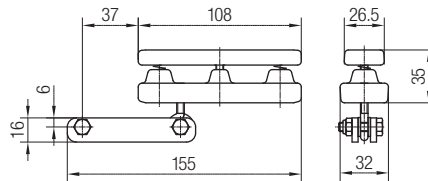


# Accessories for Festoon Systems Program 0240

## Brake Glider

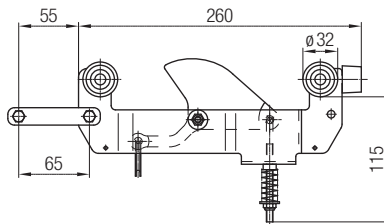
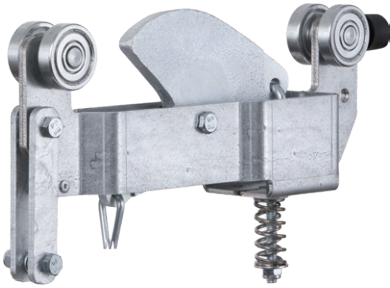


- Order No. 024784**
- Basic material: plastic
  - Hardware: galvanized steel
  - Weight: 0.100 kg



- Brake Glider and hardware  
Order No. 024719**
- Basic material: plastic
  - Hardware: galvanized steel
  - Weight: 0.200 kg

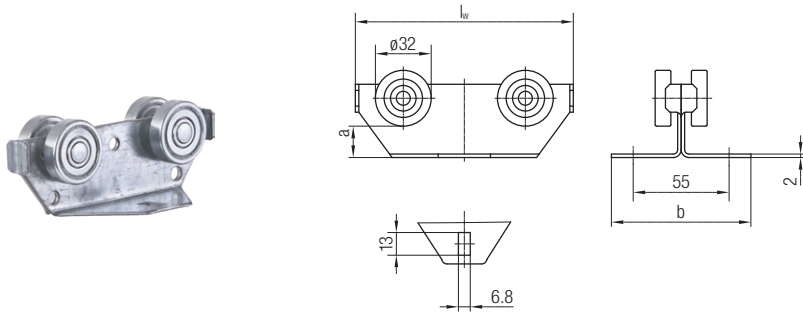
## Brake Trolley



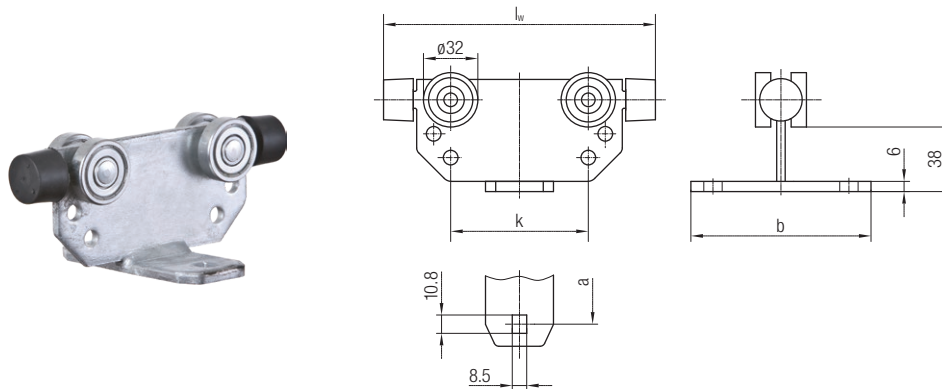
- Order No. 024785**
- Material: galvanized steel
  - Hardware: galvanized steel
  - Brake hammer: cast iron
  - Weight: 1.200 kg

# Accessories for Festoon Systems Program 0240

## Cable Trolley Upper Parts



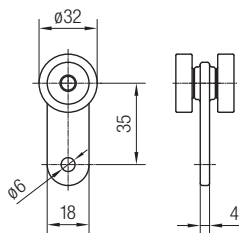
Cable Trolley Upper Parts without Buffer Order No.	$l_w$ [mm]	$b$ [mm]	$a$ [mm]	Material	Max. Load Capacity [kg]	Weight [kg]
024512-80	80	74	13.0	galvanized steel	25	0.31
024512	125	80	18.0			0.40



Cable Trolley Upper Parts with Buffer Order No.	$l_w$ [mm]	$b$ [mm]	$a$ [mm]	Material	$k$ [mm]	Max. Load Capacity [kg]	Weight [kg]
024510-125x100	125	106	80	galvanized steel	46	32	0.55
024510-125x160	125	166	140		46		0.67
024510-160x100	160	106	80		81		0.63
024510-160x160	160	166	140		81		0.75
024510-200x100	200	106	80		121		0.73
024510-200x160	200	166	140		121		0.85

# Accessories for Festoon Systems Program 0240

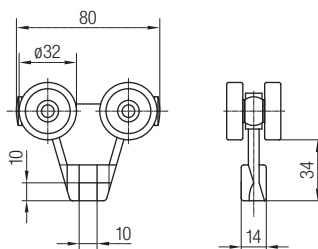
## Plastic Trolleys 2 Rollers



### Order No. 024331

- Type of roller: plastic roller with friction bearing
- Max. load capacity: 4 kg
- Max. travel speed: 20 m/min
- Weight: 0.020 kg

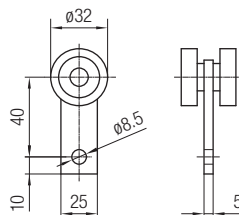
## Plastic Trolleys 4 Rollers



### Order No. 024504

- Ball bearing: plastic roller with friction bearing
- Max. load capacity: 10 kg
- Max. travel speed: 20 m/min
- Weight: 0.050 kg

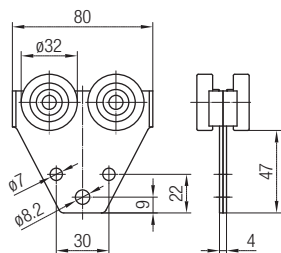
## Steel Trolley 2 Rollers



### Order No. 024330

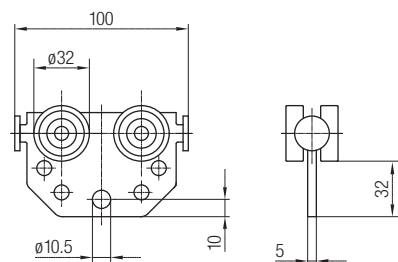
- Ball bearing: galvanized steel
- Max. load capacity: 12.5 kg
- Max. travel speed: 40 m/min
- Weight: 0.150 kg

## Steel Trolley 4 Rollers without Buffer



### Order No. 024323

- Ball bearing: galvanized steel
- Max. load capacity: 32 kg
- Max. travel speed: 50 m/min
- Weight: 0.320 kg

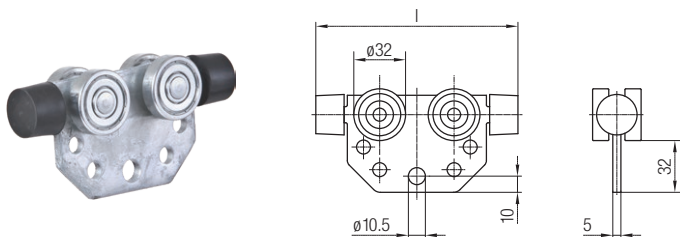


### Order No. 024340-100

- Ball bearing: galvanized steel
- Max. load capacity: 32 kg
- Max. travel speed: 50 m/min
- Weight: 0.380 kg

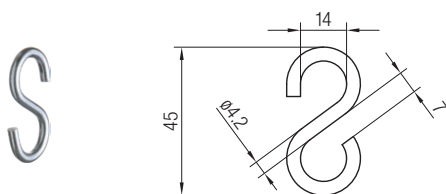
# Accessories for Festoon Systems Program 0240

## Steel Trolley 4 Rollers with Buffer



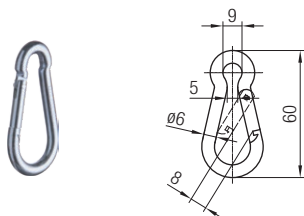
Order No.	Type of Roller	Max. Load Capacity [kg]	Max. Travel Speed [m/min]	Weight [kg]
024340-125	ball bearings: galvanized steel	32	63	0.40
024340-160				0.50
024340-200				0.60

## S-Hook



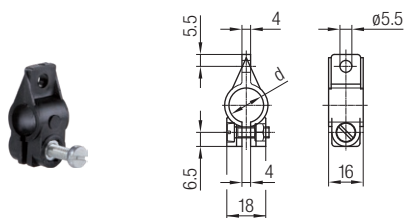
- Order No. 020118-45x4**
- Material: galvanized steel
  - Weight: 0.016 kg

## Spring Safety Hook



- Order No. 020215-60x6**
- Material: galvanized steel
  - Weight: 0.030 kg

## Cable Collar, Plastic

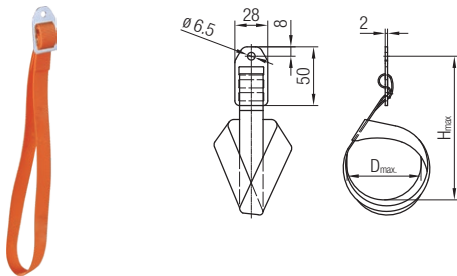


Order No.	Cable-ø d [mm]	Material	Weight [kg]
020111-08	8	plastic, hardware: galvanized steel	0.0070
020111-10	10		0.0077
020111-11	11		0.0077
020111-12.5	12.5		0.0081
020111-14	14		0.0084
020111-16	16		0.0085
020111-18	18		0.0850
020111-20	20		0.0100
020111-22	22		0.0100
020111-25	25		0.0110
020111-28	28		0.0120
020111-32	32		0.0130
020111-36	36		0.0140

**Note**  
For attachment to the trolley with S-hook.

# Accessories for Festoon Systems Program 0240

## Strap for Cable Bundle

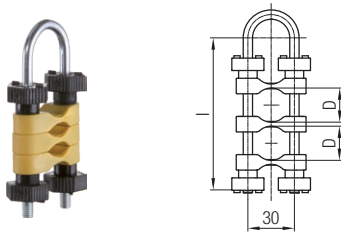


Order No.	D <sub>max.</sub> [mm]	H <sub>max.</sub> [mm]	Material	Weight [kg]
020117-080	80	150	plastic, hardware: galvanized steel	0.020
020117-160	160	230		0.030

### Note

For attachment to the trolley with S-hook.

## Cable Clips with Bracket



Order No.	Number of Loops  n <sub>D</sub>	Max. Cable-ø per Loop D [mm]	Total of all Cable-ø max. [mm]	l [mm]	Weight [kg]
020137-1X18	1	8-18	18	63	0.055
020137-1X22	1	8-22	22	80	0.060
020137-2X32	2	8-22	32	80	0.065
020137-2X44	2	8-22	44	100	0.070
020137-3X30	3	8-22	30	80	0.070
020137-3X66	3	8-22	66	125	0.090
020137-4X72	4	8-22	72	125	0.090
020137-5X70	5	8-22	70	125	0.095

### Note

To be used in combination with trolley 024504.

# Helpful Hints

## Determination of the Load Capacity of C-Rails

### Technical details / bases of calculation

The permissible load of the C-rails can be determined with the help of the diagrams.  
The following bases of calculation have been considered::

1. Beam on 2 supports, loaded by distributed load symmetrical to the beam center
2.  $\sigma_{\text{zul}} = 100 \text{ N/mm}^2$  without consideration of the lower flange stress
3.  $\sigma_V \leq 160 \text{ N/mm}^2$ , reference stress from bending stress and lower flange stress
4.  $f = l_A/250$  allowed deflection from load and self-weight of the C-rail
5. The loading is considered symmetrically distributed over all the track supports (brackets)

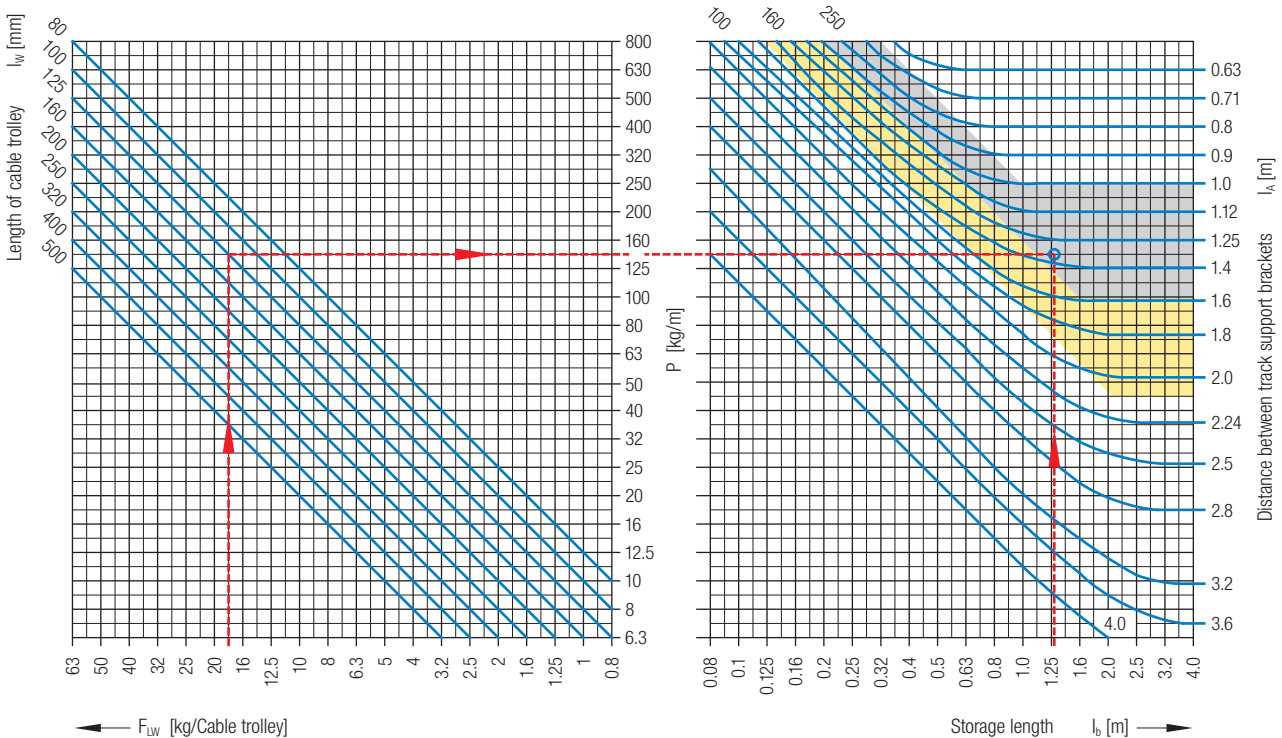
### Calculation example

Given:

$F_{\text{LW}}$ = Load/trolley	18 kg
$l_w$ = Length of cable trolley	125 mm
$Z$ = Number of cable trolleys	10
$l_b$ = Storage length	1.25 m
$(m) = Z \times l_w / 1000$	

## Load Diagram for C-Rail 40 x 40 x 2.5 (024100 / 024104 / 024109)

required load capacity of the track support brackets [kg]



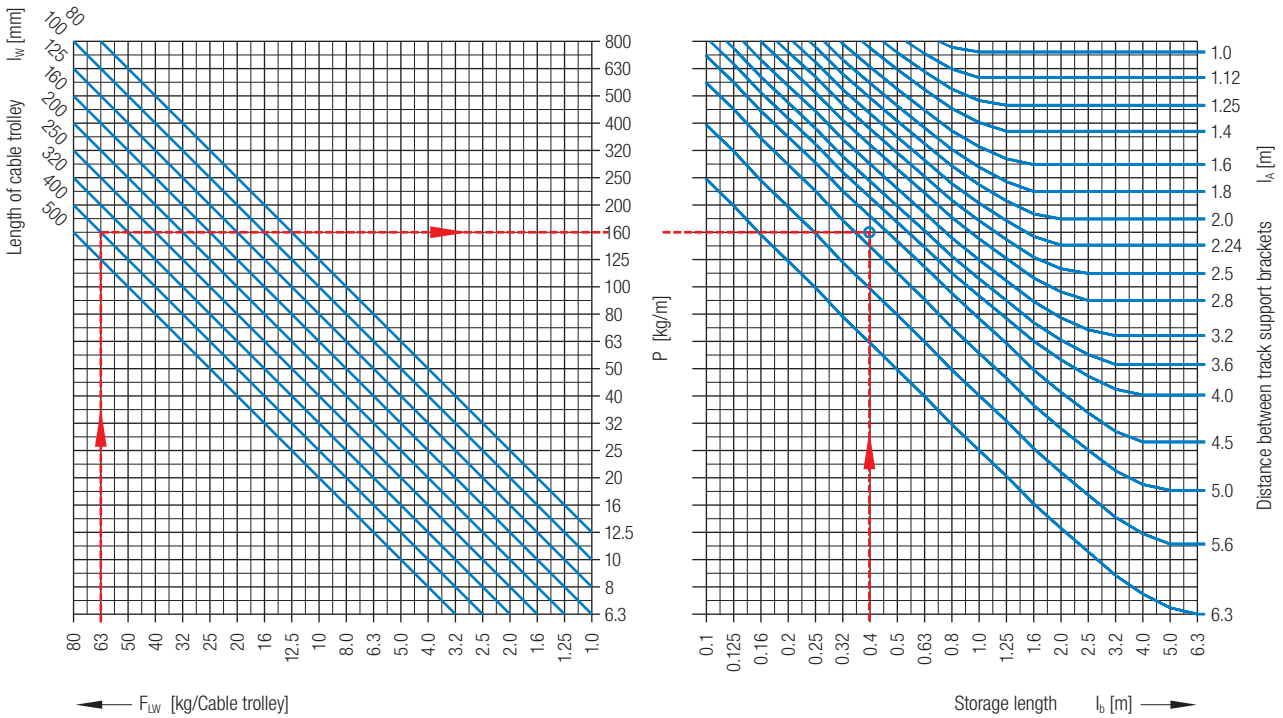
### Solution for C-rail 40 x 40 x 2.5

#### From diagram

- Required distance between the track support brackets [ $l_A$ ] = 1.30 m
- Required load capacity of the track support brackets = 250 kg

# Helpful Hints

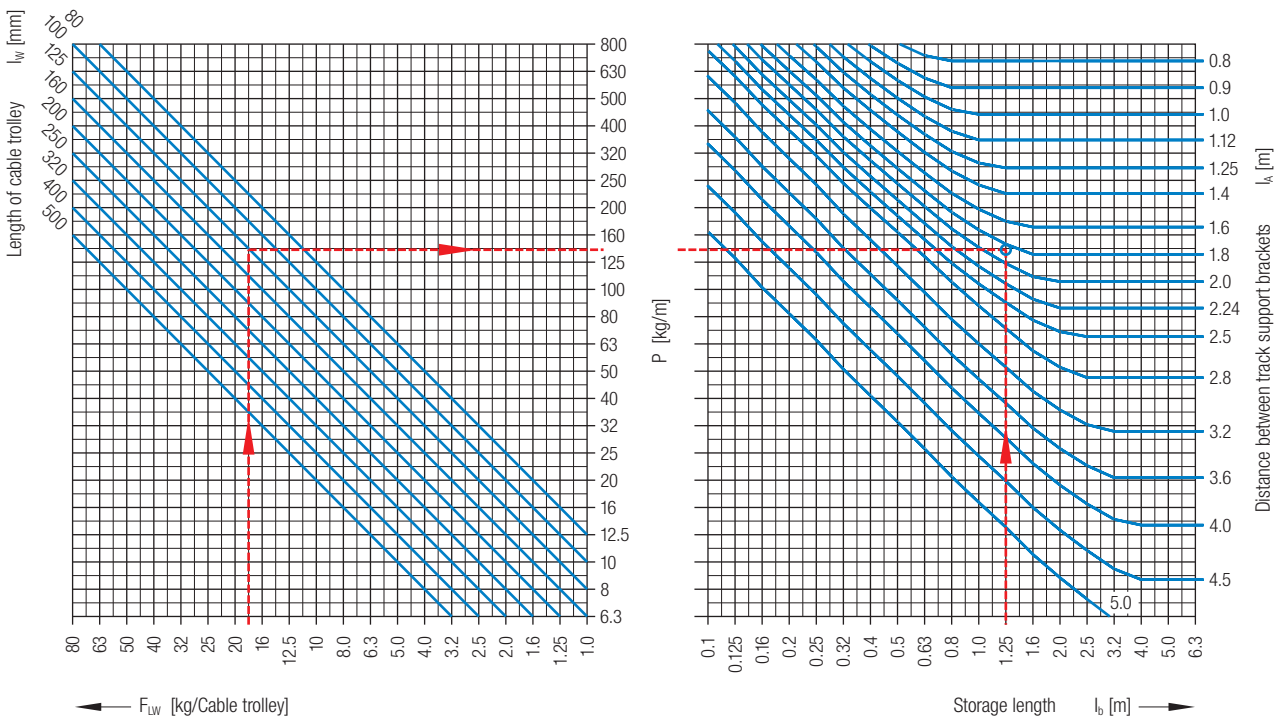
## Load Diagram for CI-Rail Reinforced (024052-6)



**Targets:**  
 Load per trolley  $[F_{LW}] = 63 \text{ kg}$ ; Length of cable trolley  $[l_w] = 400 \text{ mm}$   
 Number of cable trolleys  $[Z] = 1$ ; Storage length  $[l_b] = 0.400 \text{ m}$ ;  $(m) = Z \times l_w / 1000$

**From diagram:**  
 Required distance between track support brackets  $[l_a] = 4.80 \text{ m}$

## Load Diagram for CV-Rail Reinforced (024030-6)

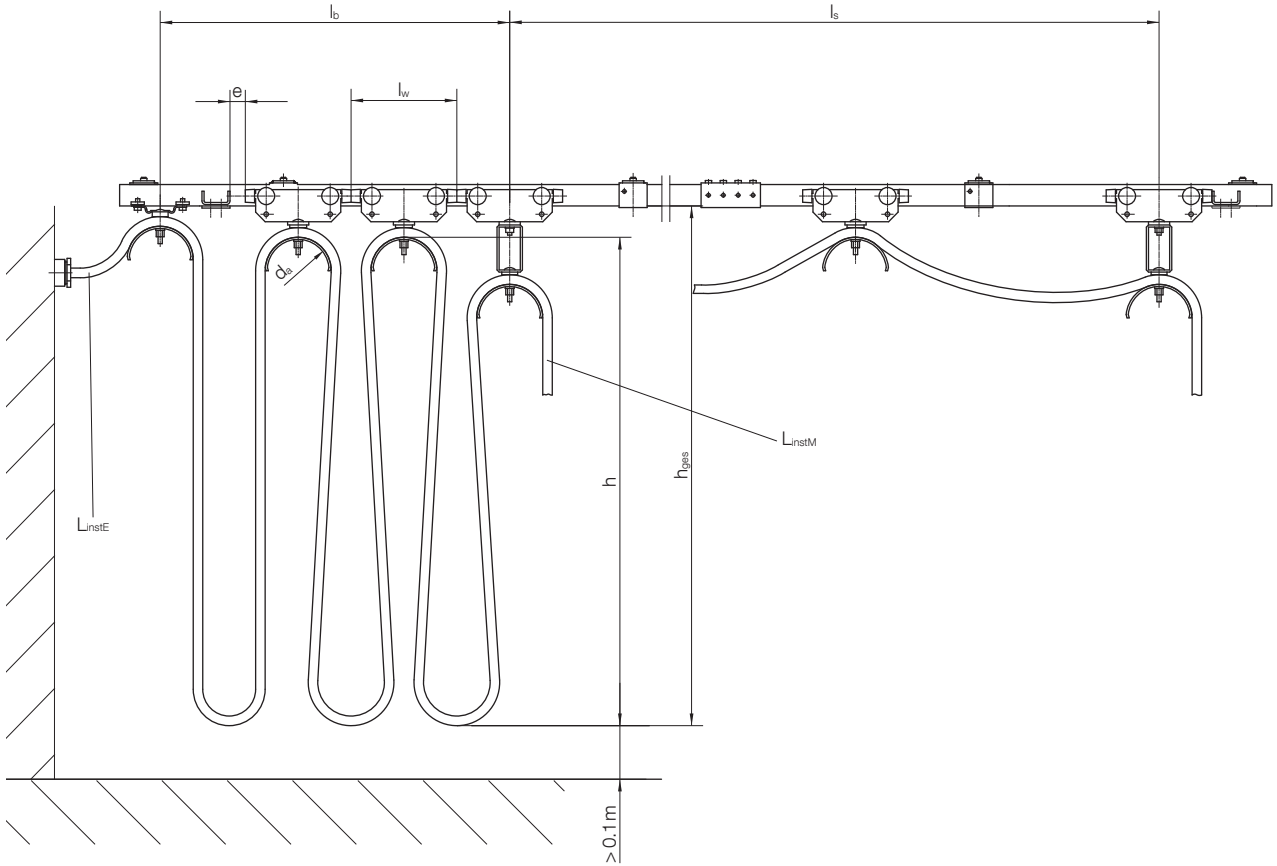


**Targets:**  
 Load per trolley  $[F_{LW}] = 18 \text{ kg}$ ; Length of cable trolley  $[l_w] = 125 \text{ mm}$   
 Number of cable trolleys  $[Z] = 10$ ; Storage length  $[l_b] = 1.25 \text{ m}$ ;  $(m) = Z \times l_w / 1000$

**From diagram:**  
 Required distance between track support brackets  $[l_a] = 1.85 \text{ m}$

# Helpful Hints

## Technical Data



## Formulas to Determine the Number of Loops, Cable Length and Loop Depth

Number of loops:

$$n = \frac{f(l_s + e)}{2 \cdot h + 1.25 \cdot d_a - f \cdot l_w}$$

Storage length:

$$l_b \approx n \cdot l_w + e \text{ [m]}$$

System cable length:

$$L_{\text{Syst}} = f(l_s + l_b) \text{ [m]}$$

Total cable length:

$$L_{\text{Best}} = L_{\text{Syst}} + L_{\text{instE}} + L_{\text{instM}} \text{ [m]}$$

Loop length:

$$L_{\text{Schl}} = \frac{L_{\text{Syst}}}{n} \text{ [m]}$$

Loop depth:

$$h = \frac{L_{\text{Schl}}}{2} - 0.63 \cdot d_a \text{ [m]}$$

$d_a$  [m] = cable support diameter

$e$  [m] = free space in storage area  
(recommendation  $\geq 0.1$  m)

$f$  = recommended cable factor (see table)

$h$  [m] = loop depth  
(measured from top edge of cable support)

$h_{\text{ges}}$  [m] = loop depth  
(measured from lower edge of cable support)

$l_b$  [m] = storage length incl. free space

$l_s$  [m] = travel distance

$l_w$  [m] = cable trolley length

$L_{\text{Best}}$  [m] = total cable length

$L_{\text{instE}}$  [m] = installation length, end clamp side

$L_{\text{instM}}$  [m] = installation length, towing side

$L_{\text{Schl}}$  [m] = cable length per loop

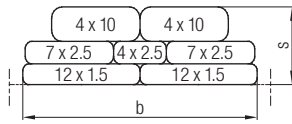
$L_{\text{Syst}}$  [m] = required cable length  
(measured from mid of end clamp to mid of towing trolley or towing clamp)

$n$  = number of loops

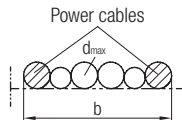


# Helpful Hints

## Definition of the Cable Arrangement and Cable Trolley Selection



Example for flat cable trolleys



Example for round cable trolleys

1. Formula for calculating the approximate load per trolley  $F_{LW}$

$$F_{LW} \approx 2 \cdot h \cdot G_L \text{ [kg]}$$

$G_L$  [kg/m] = weight of the cable package

2. Selection of the cable trolley type
3. Required cable support diameter based upon minimum bending radius of the cables
4. Select cable support width  $b_2$  to accommodate the cable package width
5. Determine length of trolley  $l_w$

For round cables:

$$l_w \geq d_a + 2 \cdot d_{max} + 10 \text{ [mm]}$$

For flat cables:

$$l_w \geq d_a + 2 \cdot s + 10 \text{ [mm]}$$

Instruction help how to build the cable packet, please check MAL0200-0003

## Cable Factors

Travel Speed $v$ [m/min]	Cable Factor $f$ at $h$ [m]				
	< 0.8	0.8 - 1.2	1.3 - 2	2.1 - 3.2	3.3 - 5
< 32	1.10	1.10	1.10	1.10	1.10
32 - 40	1.15	1.10	1.10	1.10	1.10
41 - 50	1.20	1.15	1.10	1.10	1.10
51 - 63	1.25	1.20	1.15	1.10	1.10
64 - 80	-	1.25	1.20	1.15	1.10
81 - 100	-	-	1.25	1.20	1.15
101 - 120	-	-	-	1.25	1.20

Depending on the operating conditions the cables must be installed with an additional cable length. The additional length is calculated by taking into account the cable factor  $f$ . We recommend to select the cable factor according to above table.

For values outside the gray area, please contact us directly. Special precautions might be required in those cases under extreme operating conditions, such as the installation of shock cords.

## Permissible Loads of the Rollers

Travel Speed $V$ [m/min]	Average running time per day [h]				
	< 4	4 - 8	8 - 16	-	-
< 16	< 2	2 - 4	< 2	2 - 4	4 - 8
16 - 32	-	-	-	< 2	2 - 4
32 - 63	-	-	-	-	< 2
63 - 80	-	-	-	-	< 2
80 - 100	-	-	-	-	< 2

Type of Roller [ø 32 mm]	Permissible Load of the Rollers [kg]				
	50	40	32	25.0	20
Ball Bearing, galvanized	25	20	16	12.5	10
Ball Bearing V4A	25	20	16	12.5	10
Ball Bearing with PUR Bandage	25	20	16	12.5	10

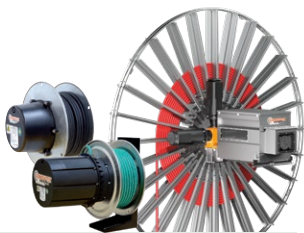
The lifetime of the rollers depends on the load (Hertzian stress) and the frequency of operation.

The proper selection, based on travel speed, average running time per day (based on one year) and permissible load of the trolleys with various roller types, can be made by using the above table.



# Your Applications – our Solutions

The solutions we deliver for your applications are based on your specific requirements. In many cases, a combination of several different Conductix-Wampfler systems can prove advantageous. You can count on Conductix-Wampfler for hands-on engineering support together with the optimum solution to safely meet your needs.



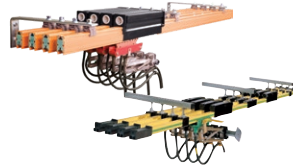
## Cable and Hose Reels

Motor driven and spring driven reels by Conductix-Wampfler provide energy, data and media over a variety of distances, in all directions, fast and safe.



## Festoon Systems

Conductix-Wampfler cable trolleys can be used in virtually every industrial application. They are reliable, robust and available in an enormous variety of dimensions and designs.



## Conductor Rails

Available as enclosed or multiple unipole systems, Conductix-Wampfler conductor rails reliably move people and material.



## Inductive Power Transfer IPT®

The no-contact system for transferring energy and data. For all tasks that depend on high speeds and absolute resistance to wear. Flexible installation when used with Automated Guided Vehicles.



## Non-insulated Conductor Rails

Robust, non-insulated aluminum conductor rails with stainless steel cap provide the ideal basis for power supply of people movers and transit networks.



## Radio Remote Controls

Safety remote control solutions customized to meet our customer needs with modern ergonomic design.



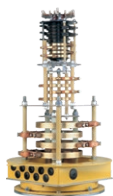
## Reels, Retractors and Balancers

Available for hoses and cables, as classical reels or high-precision positioning aids for tools, we offer a complete range of reels and spring balancers.



## Jib Booms

Complete with tool transporters, reels or an entire media supply system – safety and flexibility are key to the completion of difficult tasks.



## Slip Ring Assemblies

Whenever things are really “moving in circles”, the proven slip ring assemblies by Conductix-Wampfler ensure the flawless transfer of energy and data. Here, everything revolves around flexibility and reliability!



## Mobile Control Systems

Mobile control solutions for your plant – whether straightforward or intricate. Control and communication systems from LJU have been tried and tested in the automotive industry for decades.



## ProfidAT

This data transfer system is a compact slotted waveguide and furthermore can be used as Grounding rail (PE) as well as positioning rail at the same time.

# www.conductix.com

## **Conductix-Wampfler**

has just one critical mission:  
To provide you with energy and  
data transmission systems that  
will keep your operations up  
and running 24/7/365.

To contact your nearest  
sales office, please refer to:  
**[www.conductix.contact](http://www.conductix.contact)**

